



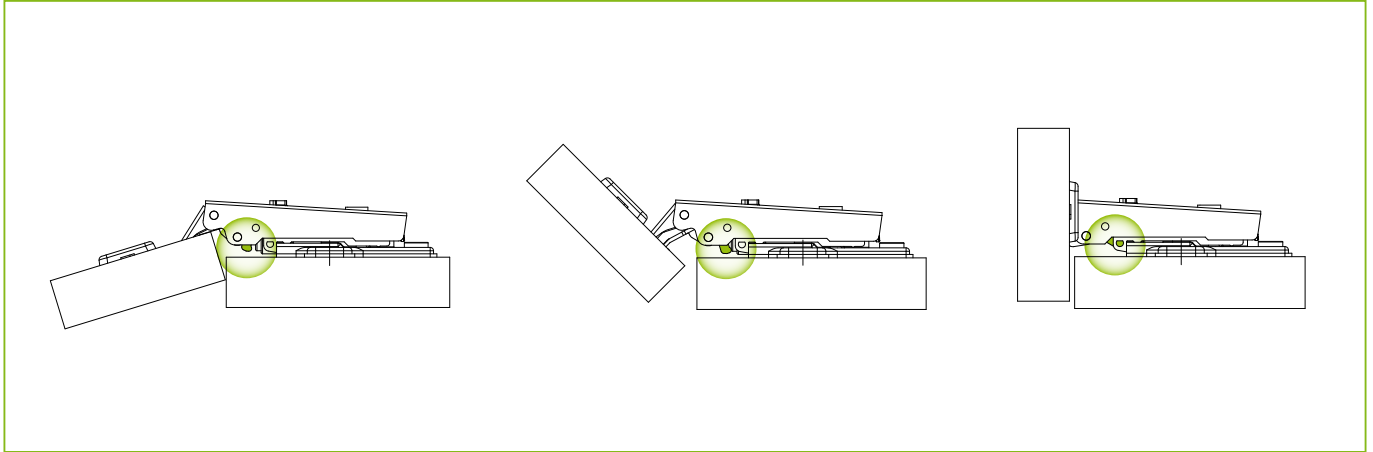
Genios



***The Hidden
Power***

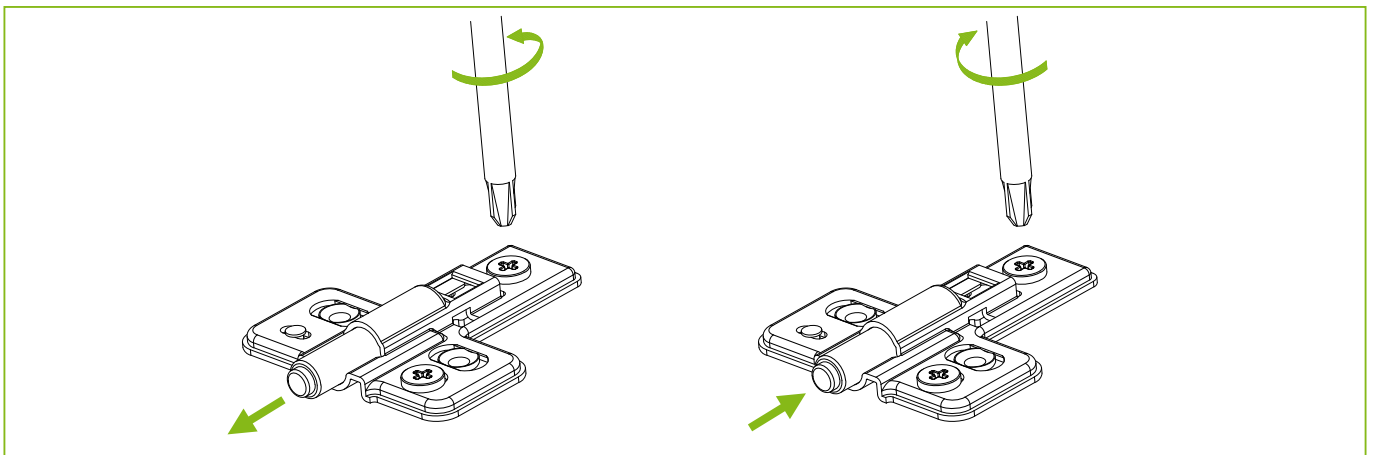


**FORMENTI &
GIOVENZANA**



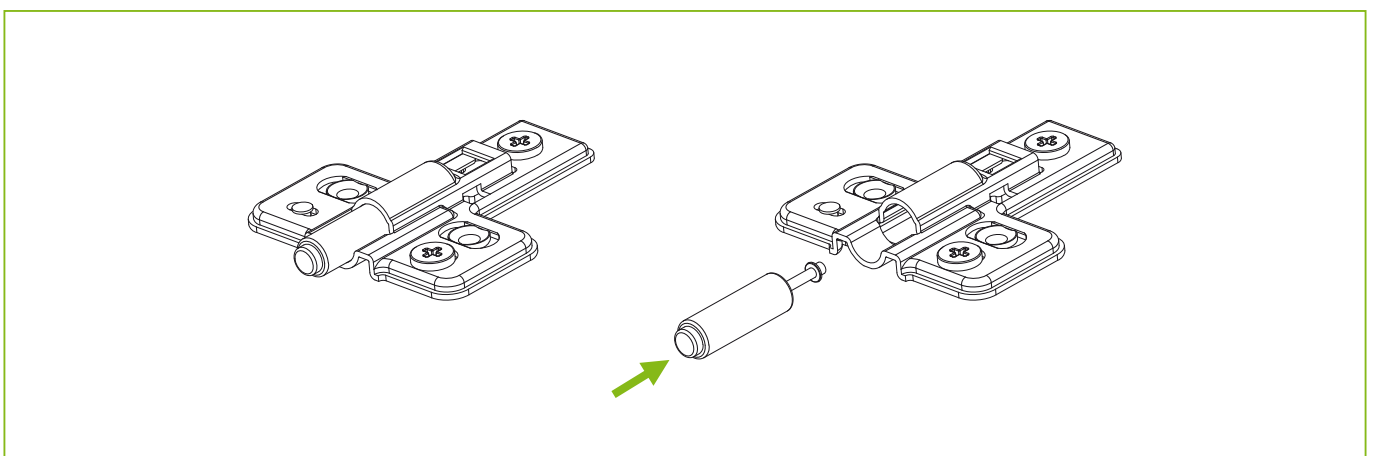
Simple and ingenious

Putting the damper into the least problematic zone of a hinge, namely under the mounting plate, is simply a genial design solution. No bulky hinge box – no protruding hinge arm. Simply Genios!



Strong and adjustable

The damper is very powerful to cope with large and heavy doors. Nonetheless, the strength can be adjusted to smaller and lighter doors. It is even possible to use the damper only on certain hinges. Simply Genios!



Integral or add-on

The product range is available with the damper pre-mounted into the mounting plate or as a retro fit able add-on solution, opening whole new perspectives for production and marketing. Simply Genios!



All the benefits from the Optima hinge range

Optima is the top range hinge of FGV. Its timeless design is completed with features like SafeClick fast assembly and One-Step 3D adjustment. Genios is resetting the agenda on integral damped hinges.

No modifications for your applications

Drilling depth, overlay and opening angles are unchanged. Genios doesn't require special solutions. It works with extra thin panels from 16 mm to 30 mm door thickness without any change in your applications.



An obviously simple solution

Take a hinge, a mounting plate and a damper and put them together. That's the secret. No rocket science, just clever thinking. The void space underneath the mounting plate was the perfect nest for the latest SlowMotion damper.

A technology to cover every application

Genios with all cranks and angled hinges, it works with framed doors, alu-frame doors and its extra flat arm works with inbuilt fridge configurations, as well as with English drawer situations. Thanks to One-Step-Anyway in and out adjustment, Genios copes with every door size and weight.



No modifications in the processing

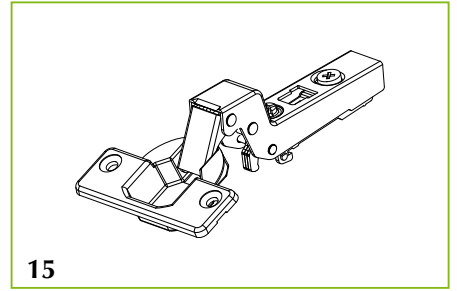
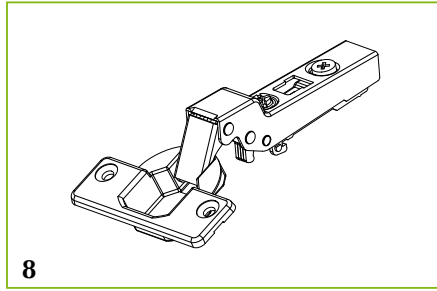
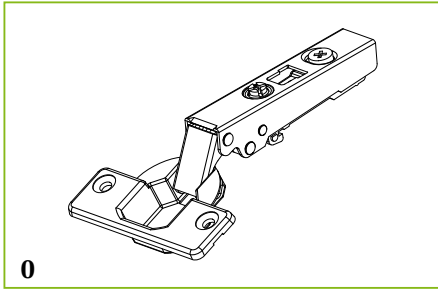
Don't touch your machines! Don't go back to the drawing board. Keep your standard Optima hinge application and replace the current mounting plate by the Genios with integral damper and you are in business!

Integral solution or add-on: your choice!

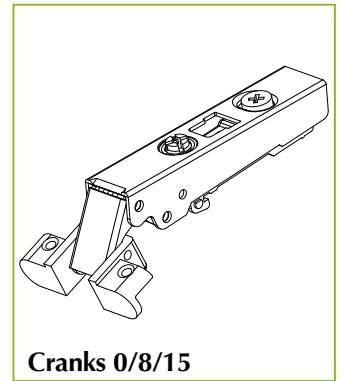
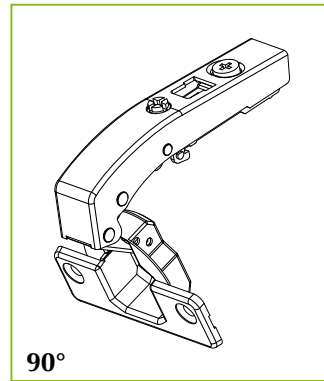
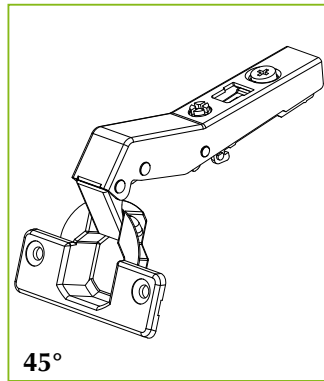
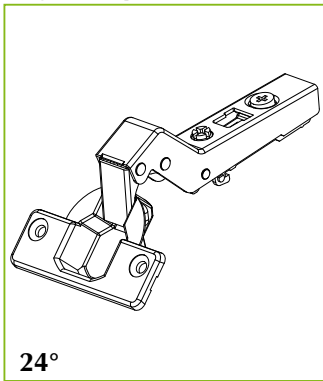
The mounting plate can come pre-assembled with the SlowMotion damper or ready for add-on. Choose the number of damped hinges easily to fit door size and weight. Choose your marketing option of the damping feature: integral or add-on.

Optima Hinge

Cranks

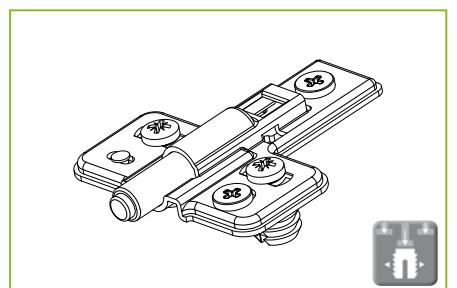
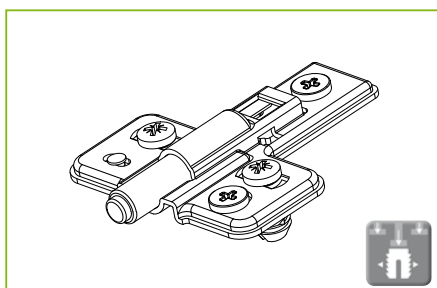
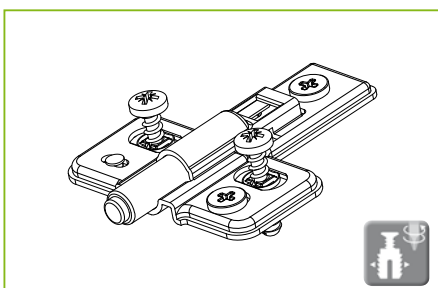
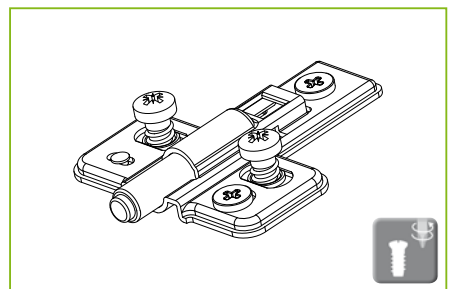
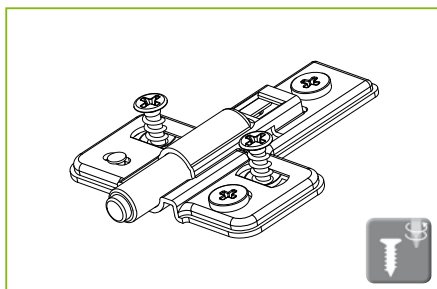
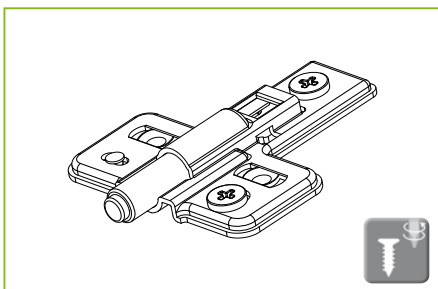
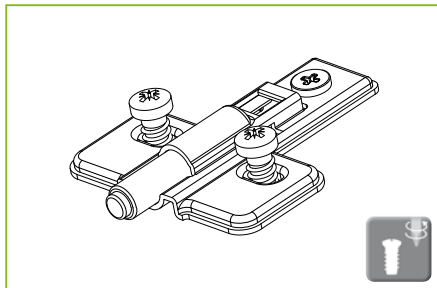
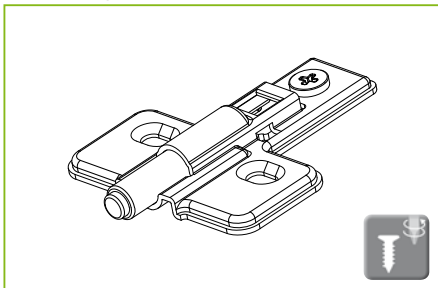


Angles + Specials

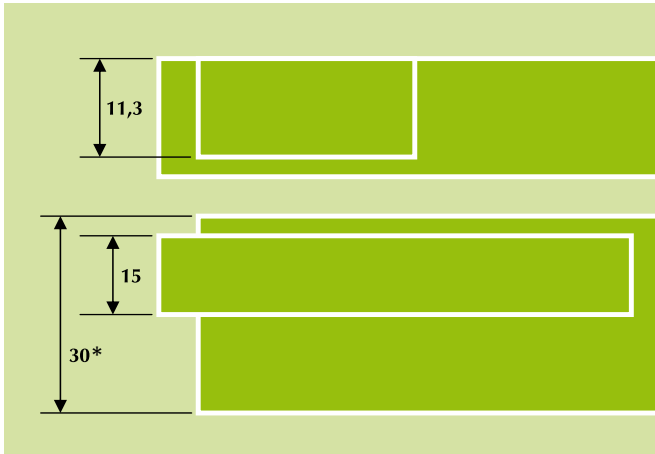


Genios

Mounting Plates*



* Available with H2/4 mm and drilling distance 37/28 mm

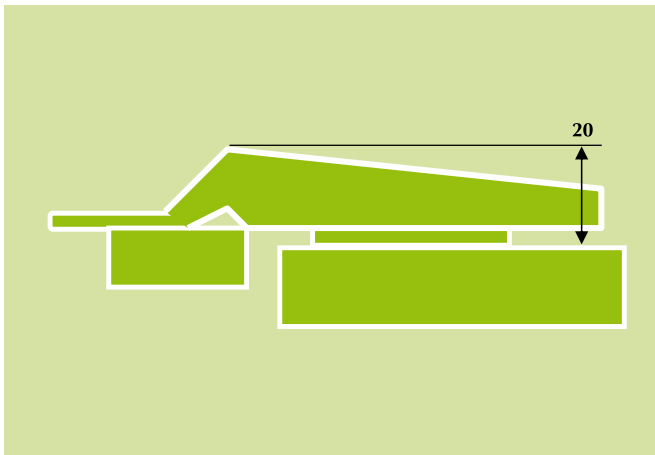


* 30 mm in version MT / 26 mm in standard

Keep your application and convert without hassle to Genios technology

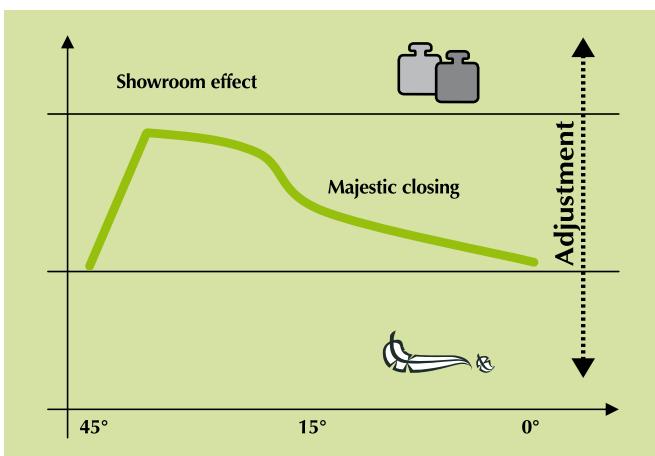
Thin doors or thick doors, light doors or heavy doors, Genios covers them all.

Thanks to the possibility to choose the number of numbers and to fine-tune the adjustment with One-Step-Anyway feature, there is no application Genios doesn't cover.



Genios: the hidden power

Placed under the previously empty space under the central hump of the mounting plate, the SlowMotion damper has no incidence on look or external dimensions of the Optima hinge. Strength and adjustability are combined to deliver hidden force and majestic closing.



Affordable

No change in process, no need for costly thick doors, no "inbuilt gas-factory" in this rational and ingenious technology. And the choice between integral and add-on solution. All ingredients are together for the most affordable solution from the European leader of concealed hinges with an installed capacity of more than 250 Mio hinges in Veduggio.

**FORMENTI & GIOVENZANA S.p.A.**

Via Concordia, 16
20050 Veduggio con Colzano (MI) - ITALY
Tel. +39 0362 947.1 r.a. - Fax +39 0362 998788
info@fgv.it
www.fgv.it

FGV SLOVAKIA, Spol s r.o.

Partizánska cesta 73, P.O.BOX 87
957 01 Bánovce nad Bebravou - SLOVAKIA
Tel. +421 (0) 38 7626 100 - Fax +421 (0) 38 7626 105
info@fgv.sk

FGVTN BRASIL LTDA.

Rua Francisco Derosso, 1352
Curitiba Paraná 81710 000 - BRASIL
Tel. +55 41 2107 4411 - Fax +55 41 3275 3038
fgvtn@fgvtnbrasil.com.br - www.fgvtnbrasil.com.br

FGV ASIA Limited

2503A-2505, 113 Argyle Street
Kowloon, Hong Kong - P R CHINA
Tel.+852 2648 7419 - Fax +852 2648 7389
info@fgvasia.com - www.fgvasia.com

FGV (Guangzhou) Company Limited

Units 2710-2711, Yang Cheng International Trading Centre
East Tower, Ti Yu Dong Lu, No. 122
Guangzhou - P R CHINA
Tel. +86 20 38870570 - Fax +86 20 38870323
info@fgvchina.com - www.fgvchina.com

DEUTSCHE FGV Formenti & Giovenzana Möbelbeschläge GmbH

Industriestr. 44
D-33397 Rietberg - GERMANY
Tel. +49 (0) 5244-9708-0 - Fax +49 (0) 5244-9708-15
www.fgvgermany.com

FORMENTI & GIOVENZANA POLSKA Sp. z o.o.

Ul. Boleslawiecka 8a
98-400 Wieruszów - POLAND
Tel. +48 62 58 10 400 - Fax +48 62 58 10 480
www.fgvpolka.pl

FGV LIFESTYLES INDIA Pvt. Ltd.

B 104 Abhinav Apartments Shradhanand Road
Vile Parle (East) Mumbai 400057 - INDIA
Tel. +91 2226180007 / 26101534
Fax +91 2226180006
fgvlifestyles@vsnl.net

FORMENTI & GIOVENZANA IBERICA, S.L.

Santiago Rusiñol 27, local 6
08031 Barcelona - SPAIN
Tel. +34 93 357 48 38 - Fax. +34 92 429 89 05
mauricidepedro@fgviberica.e.telefonica.net

FGV SERVICE VENETO S.r.l.

Via dell'Artigianato, 13/A
31047 Ponte di Piave (TV) - ITALY
Tel. +39 0422 858033 - Fax +39 0422 857316
infoveneto@fgvservice.com

FGV SERVICE CENTRO-SUD

Via Massimo d'Antona
60033 Chiaravalle (AN) - ITALY
Tel. +39 071 7451125 - Fax +39 071 7496441
infocentrosud@fgvservice.com

CRESTWOOD FITTINGS Ltd.

Crestwood House
St. Martin's Stamford
Lincolnshire PE9 2LG - U.K.
Tel. +44 (0) 1780-753407 - Fax +44 (0) 1780-752344
www.crestwood.co.uk

CONTEC - INTERNATIONAL

131, rue de Paris
F - 94220 Charenton-Le-Pont - FRANCE
Tel. +33 (0) 1 56 29 15 15 - Fax +33 (0) 1 56 29 15 16
www.contec-international.com