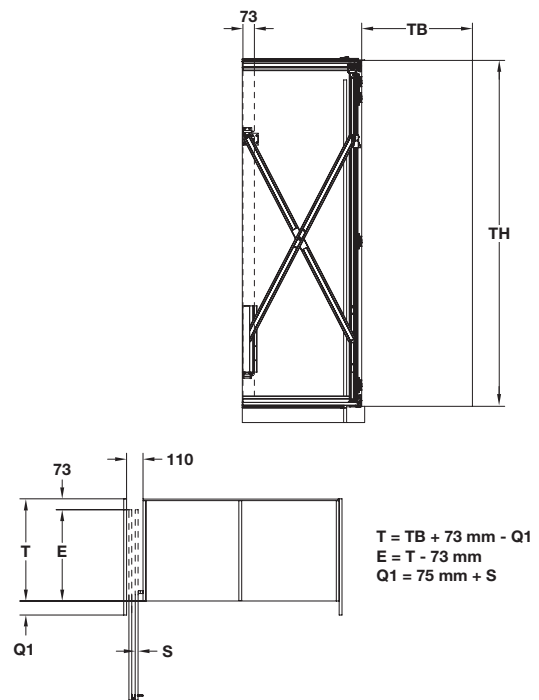


# HAWA-FOLDING CONCEPTA 25

Folding and pivot sliding system for bi-folding cabinet pocket doors. Flush cabinet fronts can be fully opened from end to end to give complete access to cabinet contents but are also completely concealed once doors are opened.

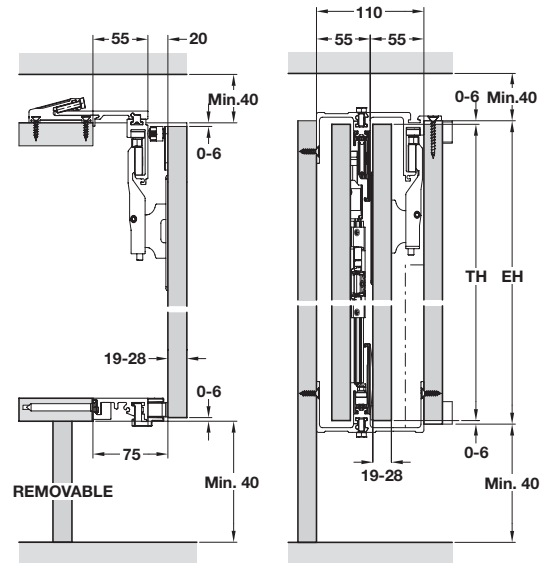
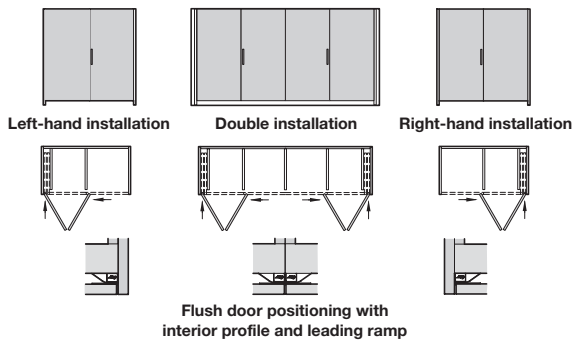
- > Based on the HAWA-Concepta the system is for bi-folding pocket doors
- > Two pairs of folding doors enable cabinet fronts up to 2800 mm in width to be stored in the cabinet
- > Flush cabinets open fully end to end
- > Two doors can be folded and pushed into the side of the cabinet body or wall recess
- > Floor to ceiling designs are possible to implement as walk-in cabinets for home office, kitchen, utility or bathroom.
- > Range:
  - Max. door weight **25 kg** (per pair of panels 50 kg)
  - Door width **300-700 mm**
  - Door height **1250-2600 mm**
  - Door thicknesses **19-28 mm**
- > Features:
  - > Semi-overlay; overlays the cabinet top and bottom, but inset to the side panel
  - > Recesses without cabinet body installations are feasible
  - > The folding panels can be pushed back into the recess to be fully flush with the external panel
  - > Minimal slide in loss of only 73 mm in the cabinet depth and recess width only 110 mm
  - > Adjustments can be made at the front of the system. Aluminium fascia conceals the hinges when the folded door is in position in the pocket
  - > Unique scissor technology prevents any jamming when folding and sliding
  - > Allows flexibility of design as can be combined with the hinges door variant HAWA-Concepta 25/30/50 (door reveal 2-5mm)



SLIDING DOOR FITTINGS 2014, © Häfele U.K. Ltd 2014. Dimensional data not binding. We reserve the right to alter specifications without notice.

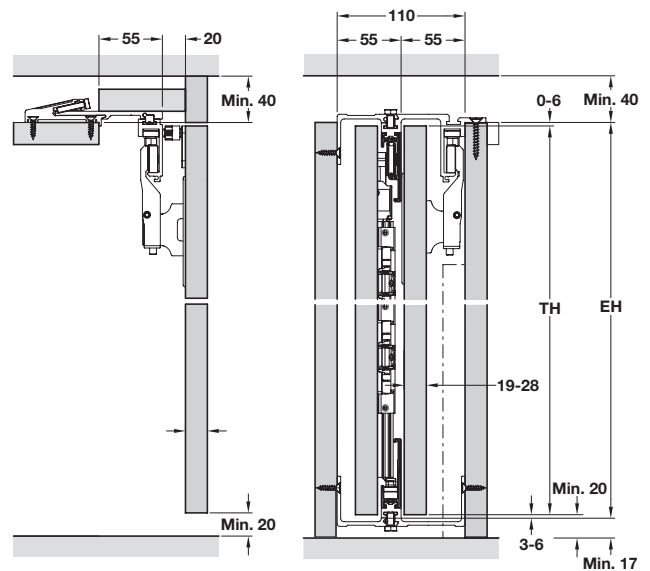
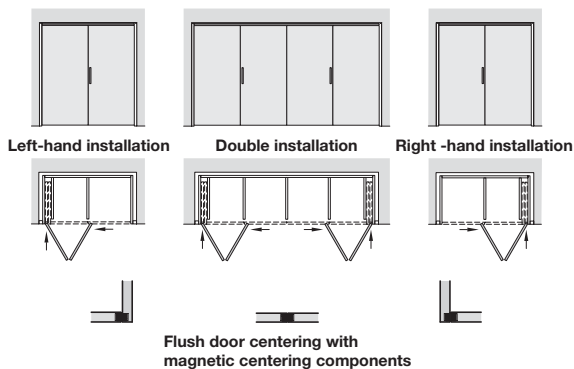
## Design with an overlaying cabinet front

- > The optionally available base profile, shown on page 295, enables the design of simple cabinet bodies with an overlaying cabinet front
- > The leading ramp included with the base profile set positions the doors flush with adjacent areas



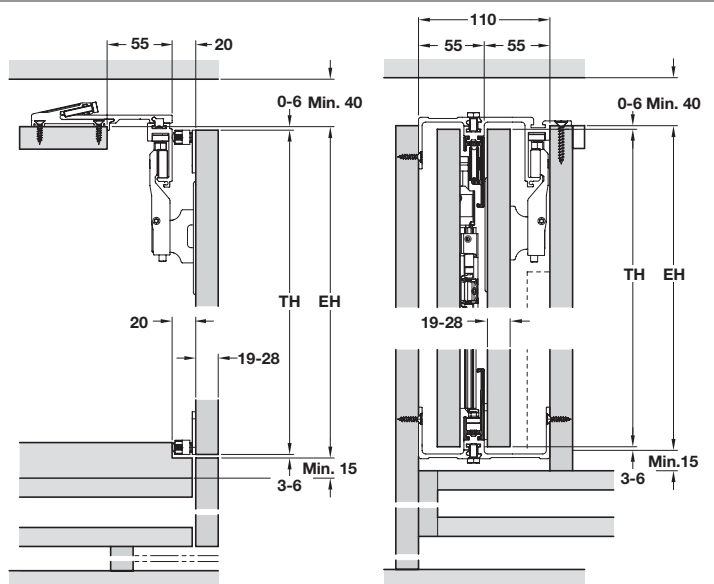
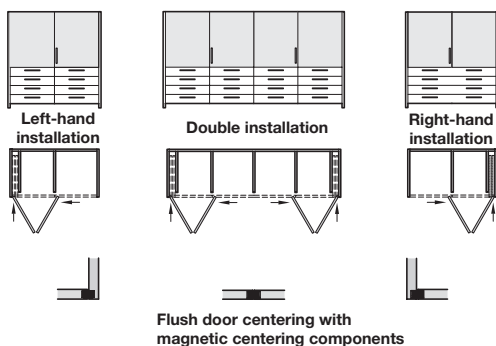
## Design with recess cover without a base and with a ceiling connection

- > Room high cabinet designs without a base allow to close off recesses with gaps of just 20 mm from door to floor and 40 mm from door to ceiling
- > It is also possible to design walk-in cabinets with uninterrupted flooring



## Doors reaching from the worktop to the upper cabinet edge

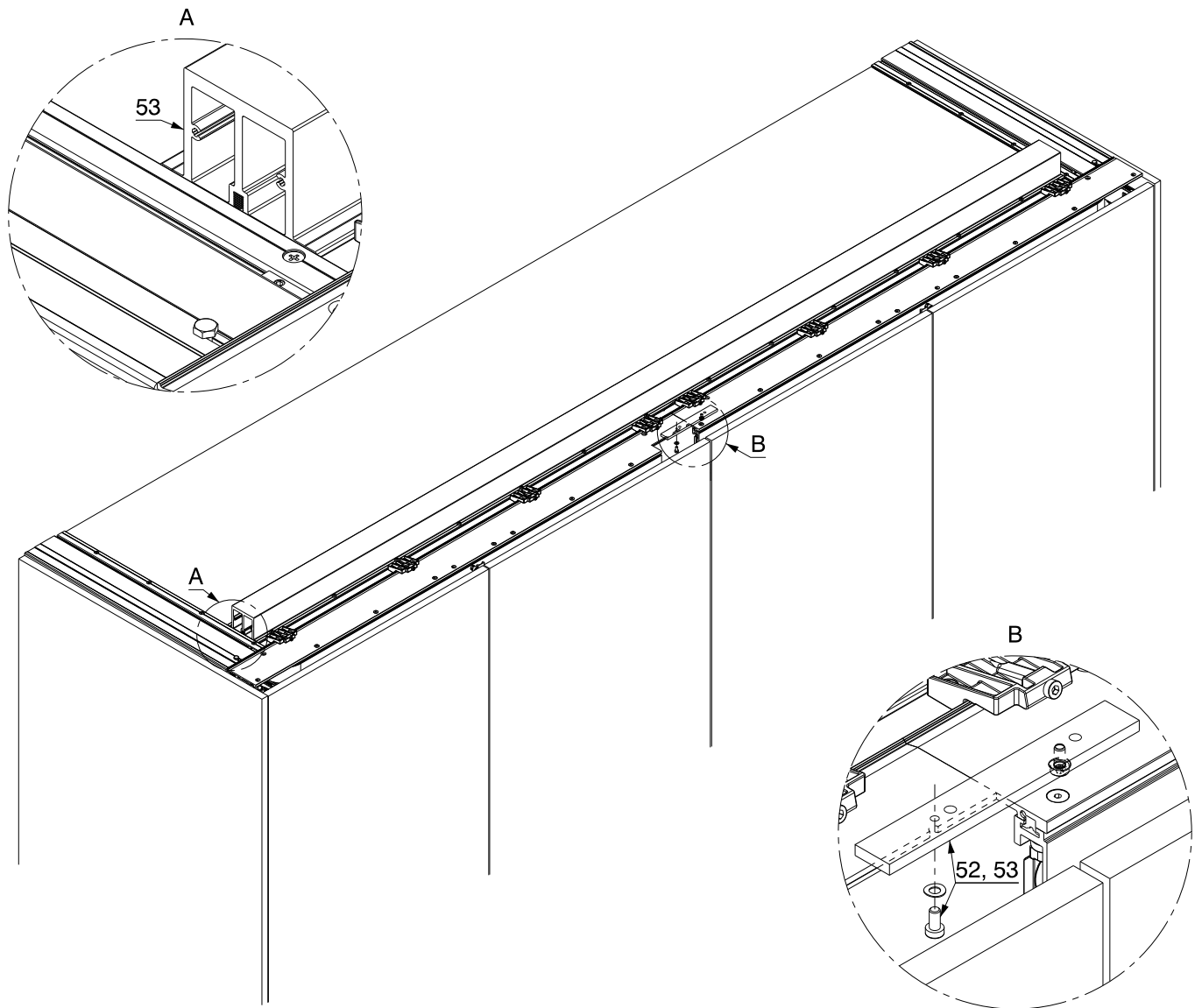
- > Design options with semi height bi-folding pocket doors reaching from the worktop to the ceiling demonstrate the extensive flexibility of this system



|    |  |
|----|--|
| DE | <b>Übersicht Verstärkungsprofil und Verbindungsplatte für Möbeloberboden</b>                                     |
| FR | <b>Aperçu général du profil de renforcement et de la plaque de raccordement pour élément supérieur de meuble</b> |
| EN | <b>Overview of the reinforcement profile and connecting plate for cabinet tops</b>                               |
| IT | <b>Panoramica profilo di rinforzo e piastra di collegamento cielo mobile</b>                                     |
| ES | <b>Vista de conjunto perfil de refuerzo y pletina de unión para la tapa superior del mueble</b>                  |



Möbeloberboden bei Doppelanlagen ohne Mittelwand muss verstärkt werden!  
 Dans le cas d'installations doubles sans cloison centrale, les éléments supérieurs de meuble doivent être renforcés !  
 The cabinet top on double systems without a centre panel must be reinforced!  
 I cieli dei mobili con sistemi doppi senza parete centrale vanno rinforzati!  
 ¡Es imprescindible reforzar el techo del mueble en instalaciones dobles sin panel central!



|    |  |       |    |  |       |
|----|--|-------|----|--|-------|
| 52 |  | 24321 | 53 |  | 24322 |
|----|--|-------|----|--|-------|

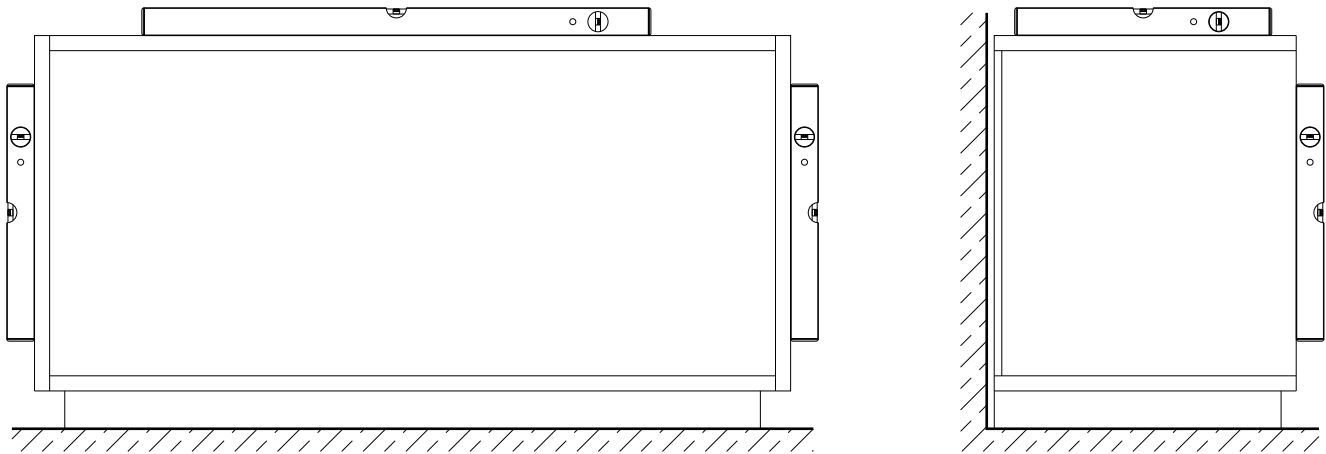


**Hawa Teile / Éléments Hawa / Hawa Components / Componenti Hawa / Componentes Hawa**

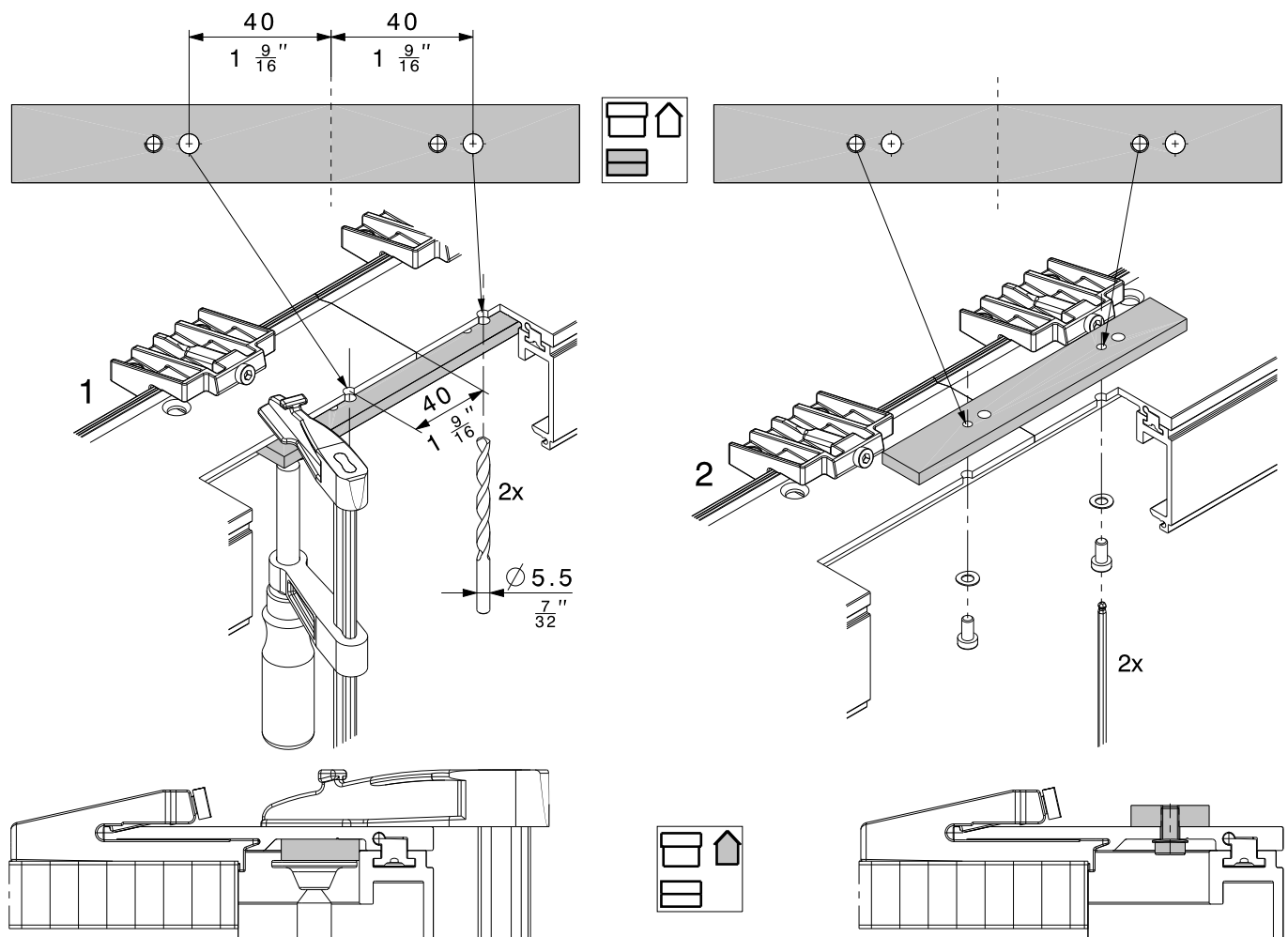
**Es gelten metrische Abmessungen – Abmessungen in Zollangaben sind nur zur Information.  
 Metric Dimensions are valid - dimensions stated in inches are for information only.**

|    |                                 |
|----|---------------------------------|
| DE | <b>Ausrichten des Schrankes</b> |
| FR | <b>Ajustement de l'armoire</b>  |
| EN | <b>Aligning the cabinet</b>     |
| IT | <b>Allineamento armadio</b>     |
| ES | <b>Alineación del mueble</b>    |

Der Schrank muss nivelliert und an den Baukörper (Boden, Wand, Decke) geschraubt werden!  
 L'armoire doit être mise à niveau et vissée sur le corps de bâtiment (sol, mur, plafond) !  
 The cabinet must be levelled and screwed to the building (floor, wall or ceiling) !  
 L'armadio deve essere livellato e fissato con viti al corpo edilizio (pavimento, parete, soffitto) !  
 ¡Es imprescindible nivelar el armario y atornillarlo (al suelo, pared, techo) !



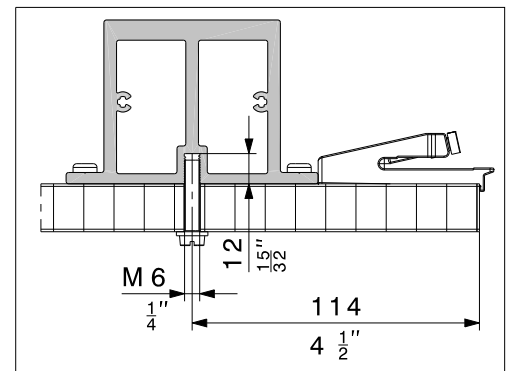
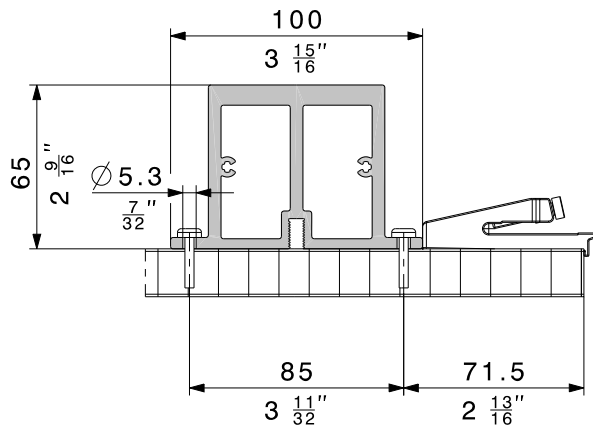
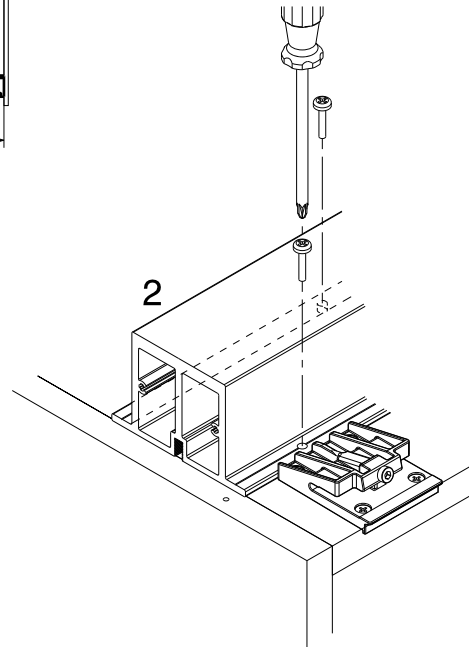
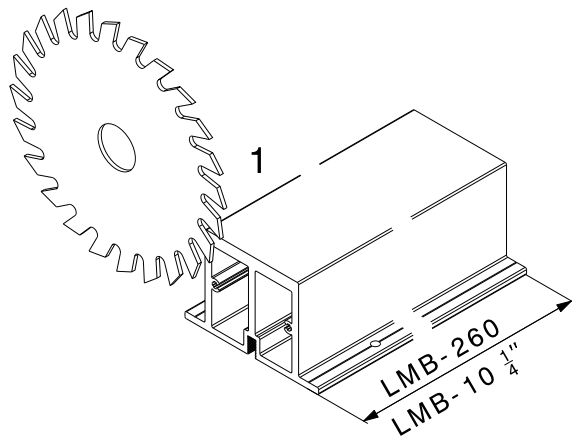
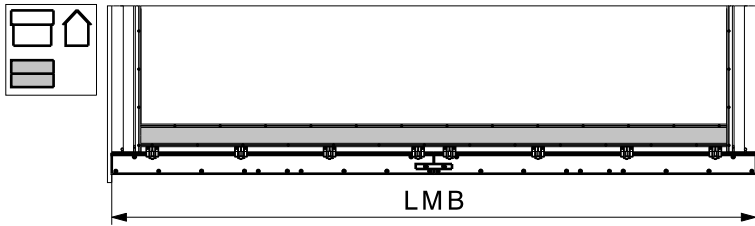
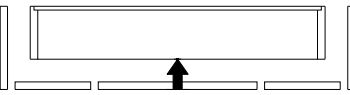
|    |   |
|----|---|
| DE | <b>Montage Verbindungsplatte</b>            |
| FR | <b>Montage de la plaque de raccordement</b> |
| EN | <b>Fitting the connecting plate</b>         |
| IT | <b>Montaggio piastra di collegamento</b>    |
| ES | <b>Instalación de la pletina de unión</b>   |



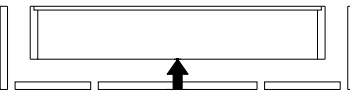
# HAWA-Folding Concepta 25



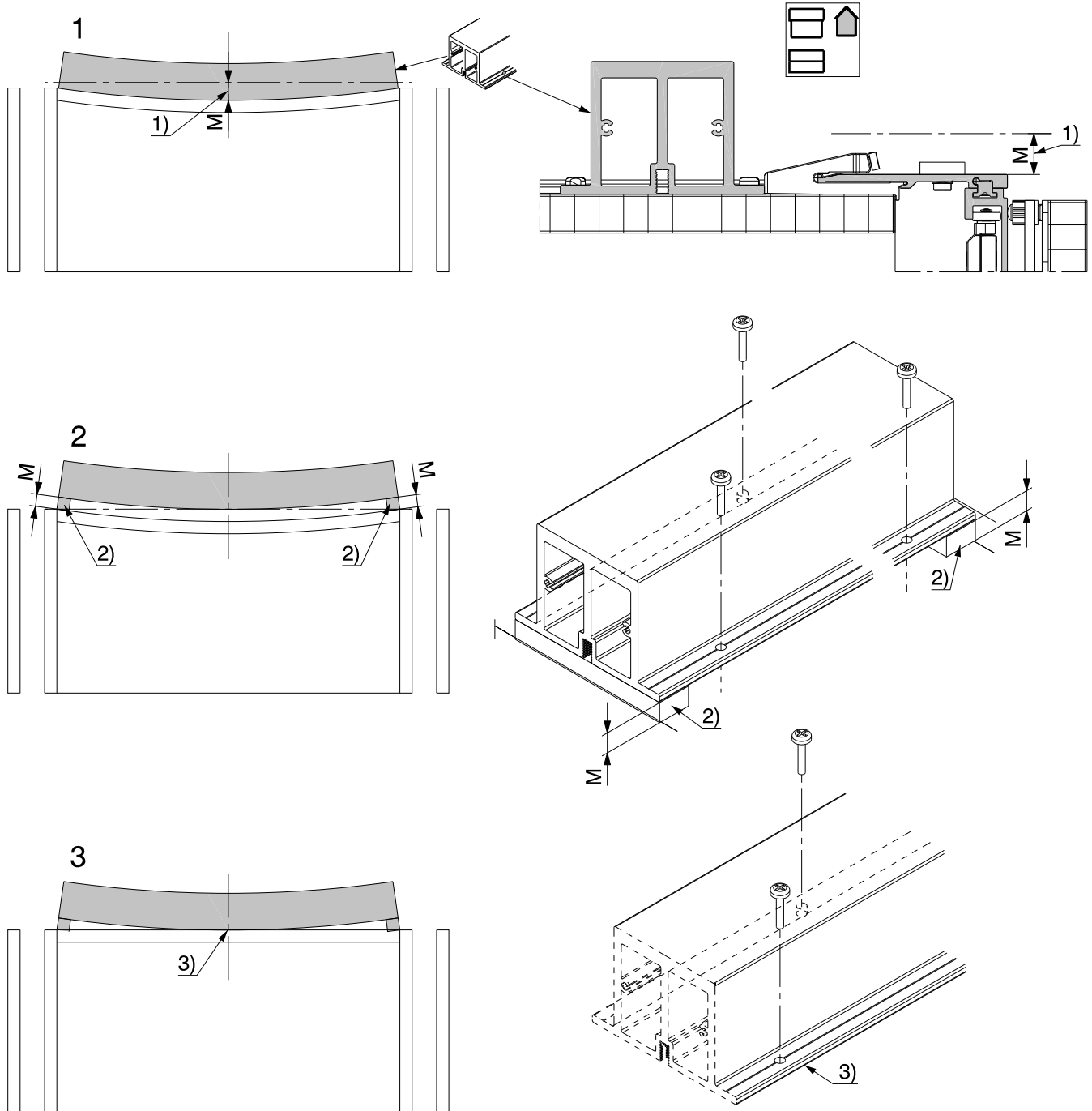
|    |  |
|----|--|
| DE | Montage Verstärkungsprofil Möbeloberboden                          |
| FR | Montage du profil de renforcement pour élément supérieur de meuble |
| EN | Fitting the cabinet top reinforcement profile                      |
| IT | Montaggio profilo di rinforzo cielo mobile                         |
| ES | Instalación del perfil de refuerzo de la tapa superior del mueble  |



|    |  |
|----|--|
| DE | <b>Möbeloberboden ausrichten</b>                   |
| FR | <b>Ajustement de l'élément supérieur de meuble</b> |
| EN | <b>Aligning the cabinet top</b>                    |
| IT | <b>Allineamento cielo mobile</b>                   |
| ES | <b>Alinear la tapa superior del mueble</b>         |



Die nachfolgenden Abbildungen und Messung M verstehen sich mit geschlossenen Türen.  
 Les illustrations ci-dessous et la mesure M s'entendent avec portes fermées.  
 The following illustrations and the dimension M apply when the doors are closed.  
 Le seguenti illustrazioni e quote M si intendono con ante chiuse.  
 Las figuras y mediciones M siguientes se entienden con las puertas cerradas y con las juntas alineadas.



- 1) Distanz M messen / Mesurer la distance M / Measure distance M / Misurare la distanza M / Medir la distancia M
- 2) bauseits / incombant au client / provided by customer / da parte del committente / a suministrar por el cliente
- 3) Maximale Durchbiegung des Möbeloberbodens 2 mm / Infléchissement maximal de l'élément supérieur de meuble de 2 mm / Maximum deflection of the cabinet top: 2 mm ( $\frac{3}{16}$ ") / Flessione massima cielo mobile: 2 mm / Curvatura máxima de la tapa superior del mueble 2 mm