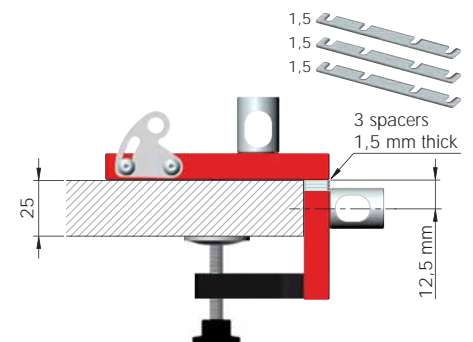
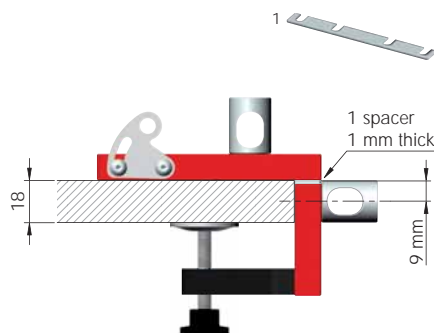
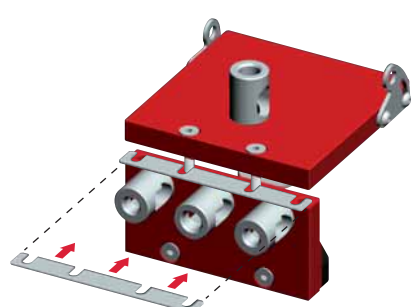
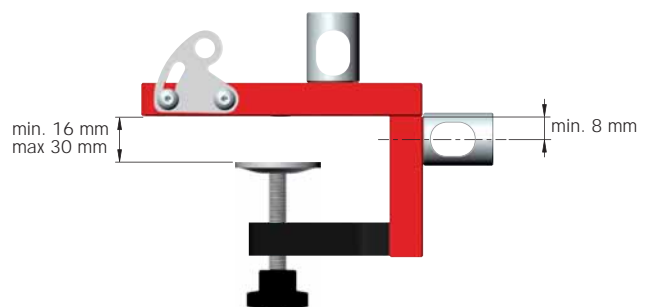
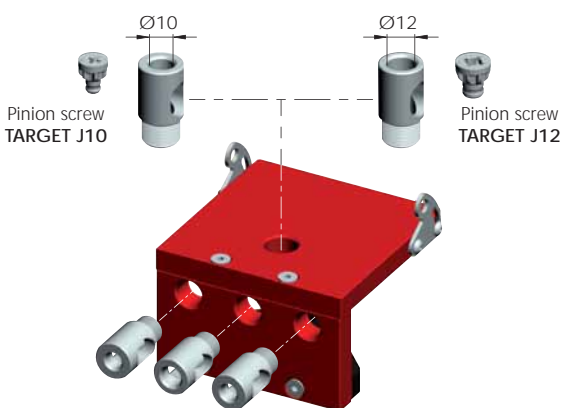
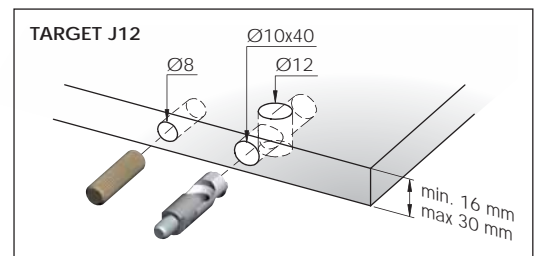
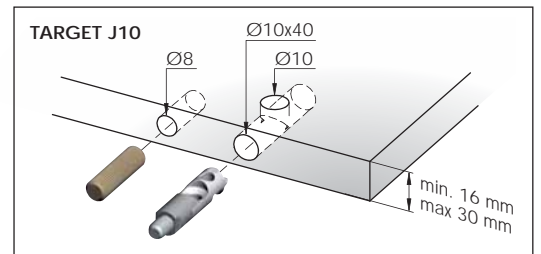
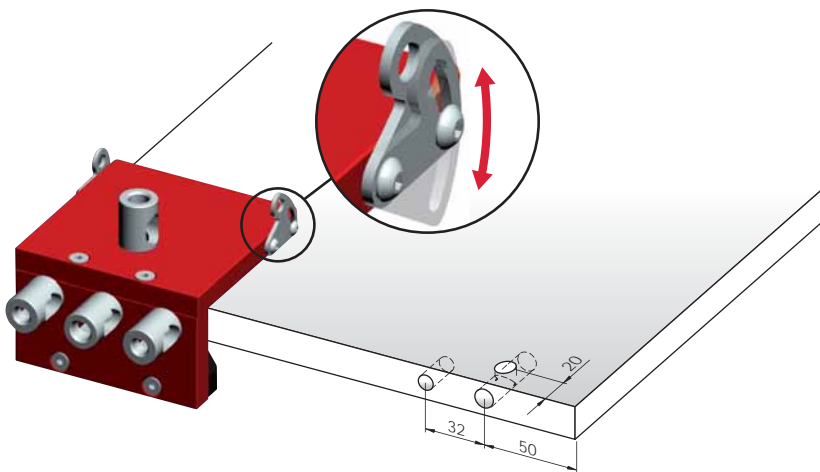


DRILLING JIG TARGET J10-J12



16 - 30 mm





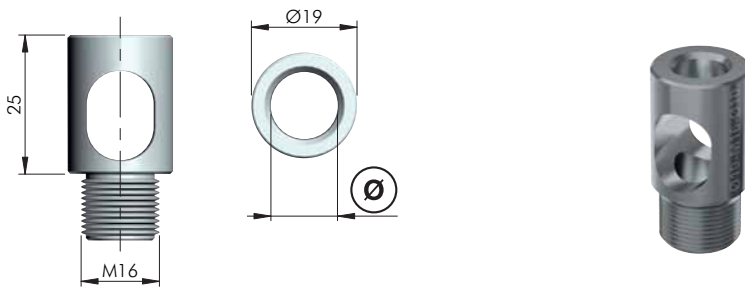
**TARGET J10-J12 DRILLING JIG FOR PANEL THICKNESS 16 AND 18 mm**



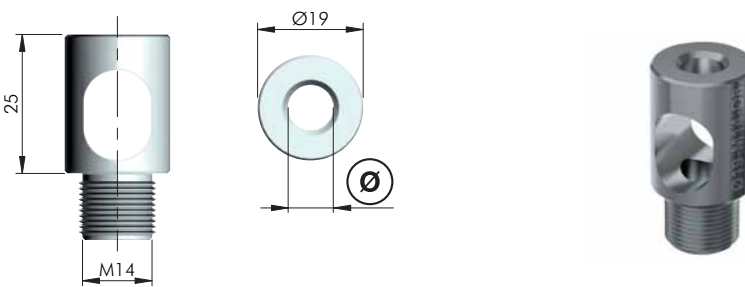
ST	= on request
123	
Y0JG0100RO	

NOTE: The product code includes all the components shown in the picture.

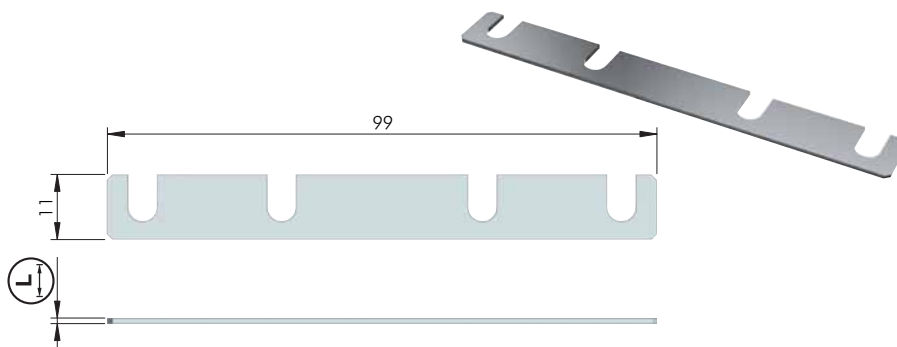
**TARGET J10-J12 DRILLING JIG ACCESSORIES**



= M16	
ST	= on request
123	
Y0JG0507ZN	Ø10
Y0JG0508ZN	Ø12



= M14	
ST	= on request
123	
Y0JG0505ZN	Ø8
Y0JG0506ZN	Ø10

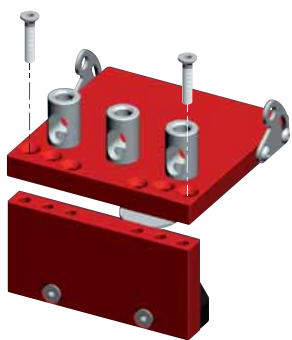
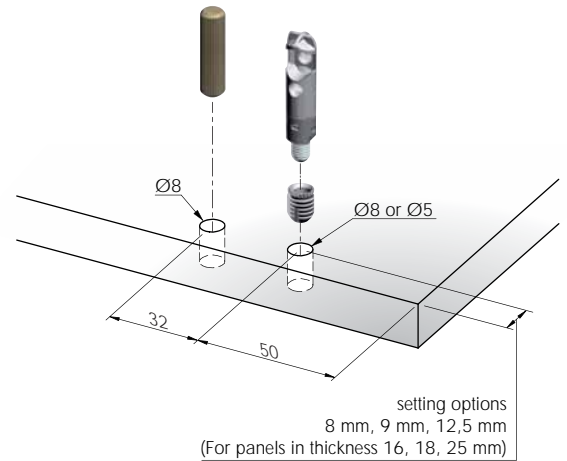
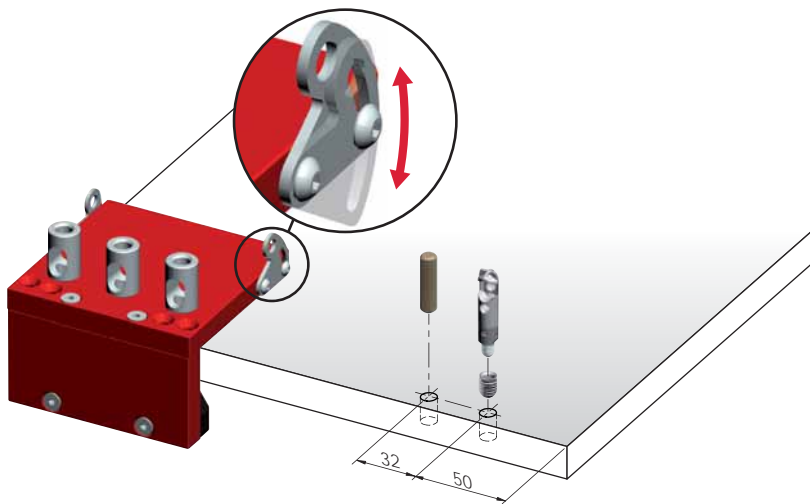


ST	= on request
123	
Y0JG0511ZN	1
Y0JG0512ZN	1,5

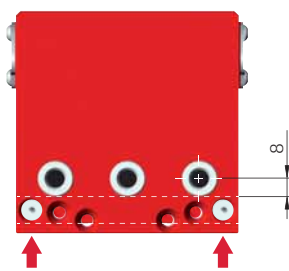
DRILLING JIG FOR SIDE PANELS



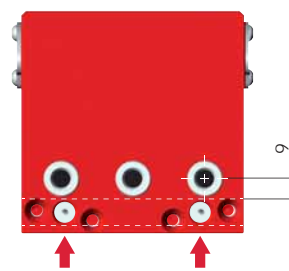
16 - 30 mm 



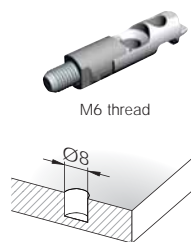
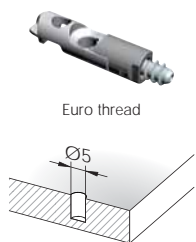
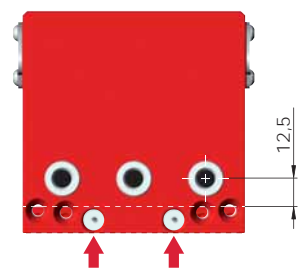
Setting for 8 mm



Setting for 9 mm



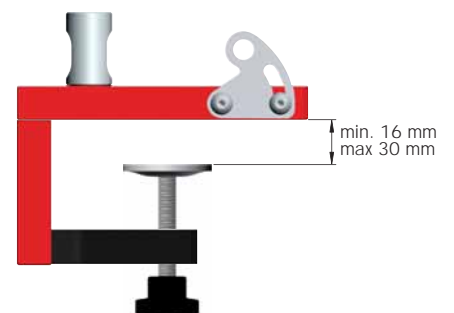
Setting for 12,5 mm



Plastic insert nut  
M6 thread

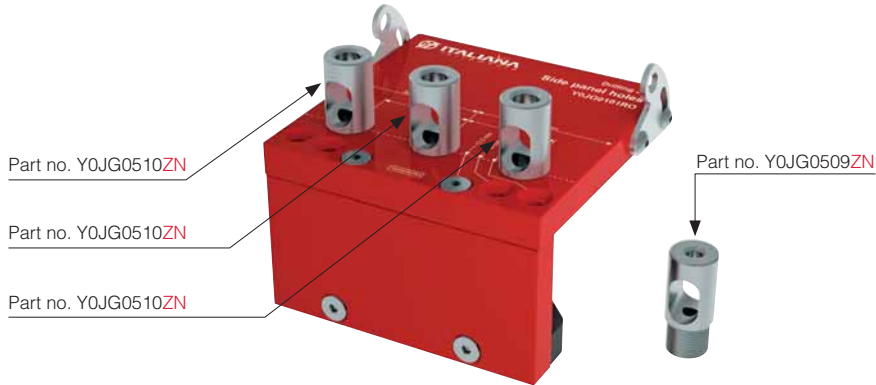
Zinc alloy insert nut \*  
M6 thread

\* It requires further countersunk operation.





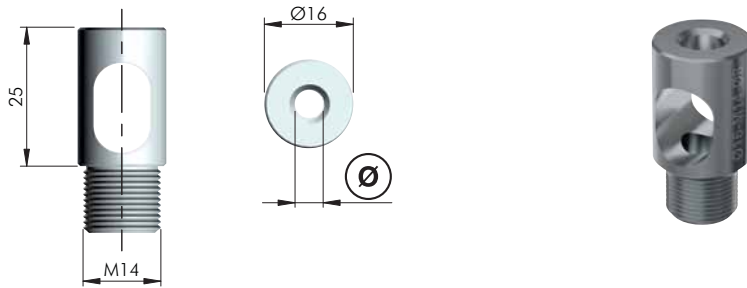
## DRILLING JIG FOR SIDE PANELS



ST	= on request
123	
Y0JG0101RO	

NOTE: The product code includes all the components shown in the picture.

## DRILLING JIG FOR SIDE PANELS ACCESSORIES



= M14	
ST	= on request
123	
Y0JG0509ZN	Ø5
Y0JG0510ZN	Ø8

## DRILLING JIG DEPTH STOP COLLARS



ST	= on request
123	
Y0JG051600	Ø5
Y0JG051700	Ø8
Y0JG051800	Ø10
Y0JG051900	Ø12