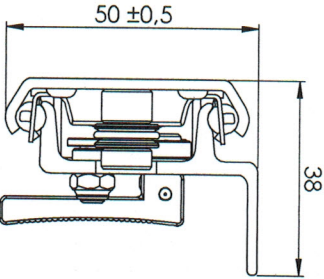
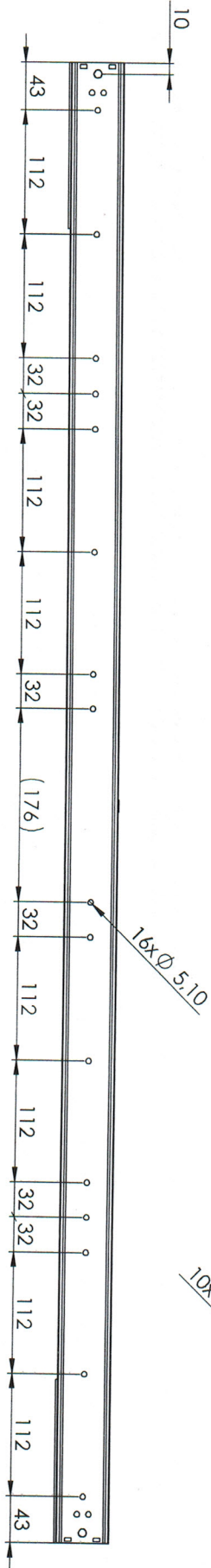
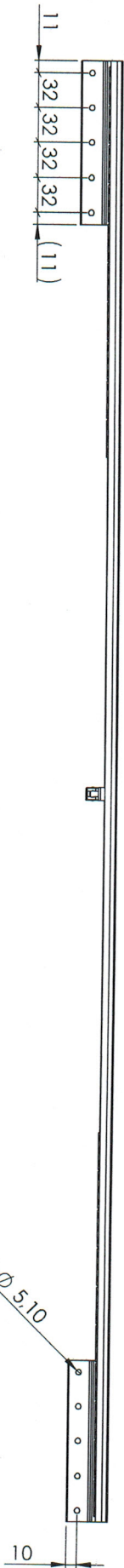
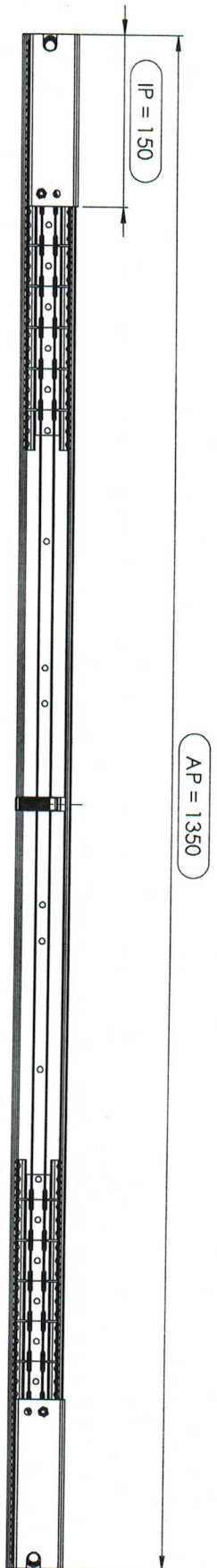


All property rights and rights to exploitation of copyright for this drawing data remain ours; they may not be made available to third parties without our consent.

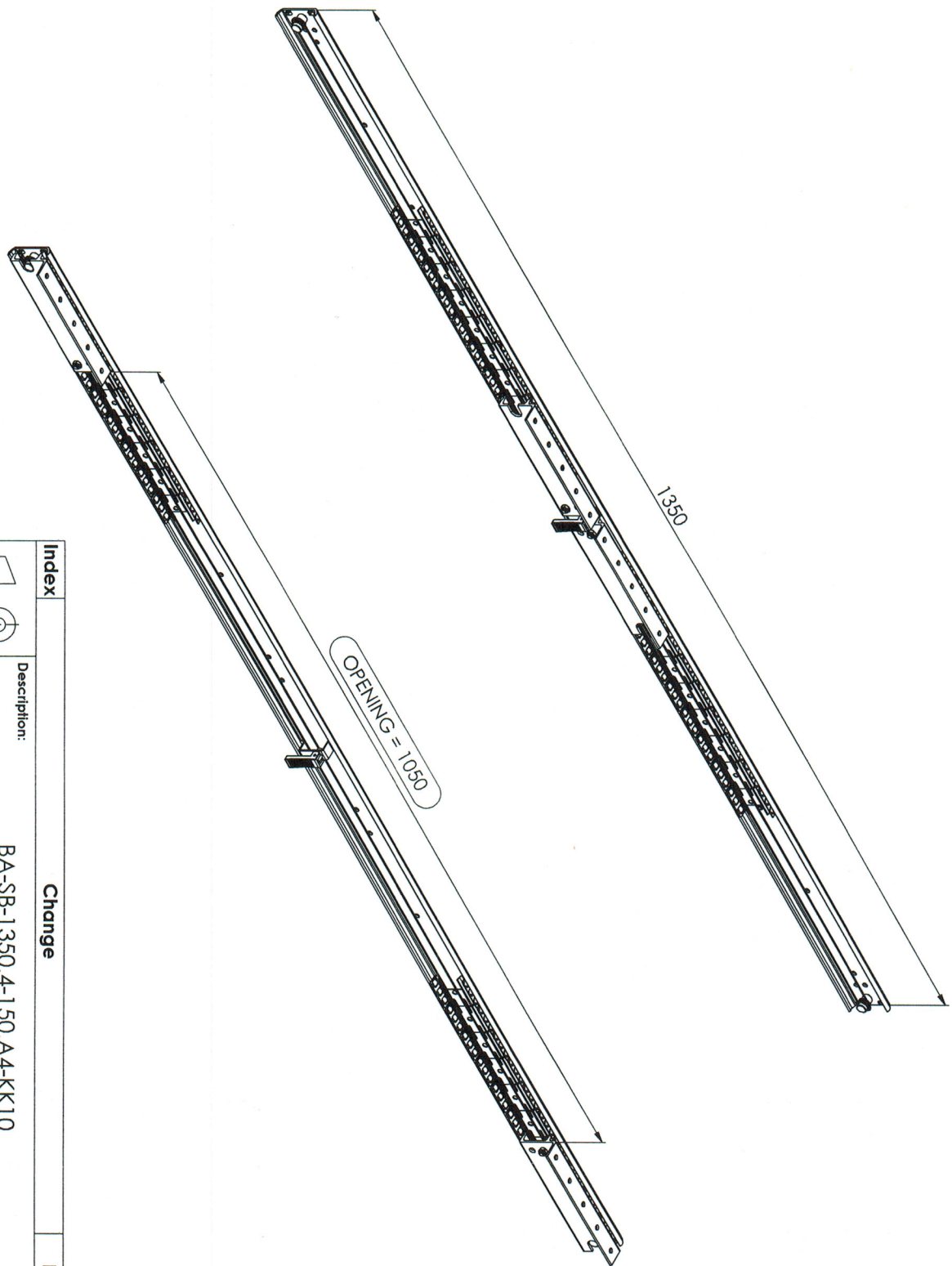


opening: ca. 1038 mm

Index	Change		Date	Name
DIN ISO 128-30 Surface:	Description:		BA-SB-1350.4-150.A4-KK10	
	Material:		Weight: kg	
PÖTTKER Transforming Furniture	Name	Date	Company	
	Signed	Piaszczyński	21.11.2013	
Tested	Second Company:			
General tolerance: DIN ISO 2768-1		Item No: 47135904	Scale	1:4
			Page	1/3
				A3

K:\RYSUNKI\KOBUS\BA-SB-1350.4-150.A4-KK10\

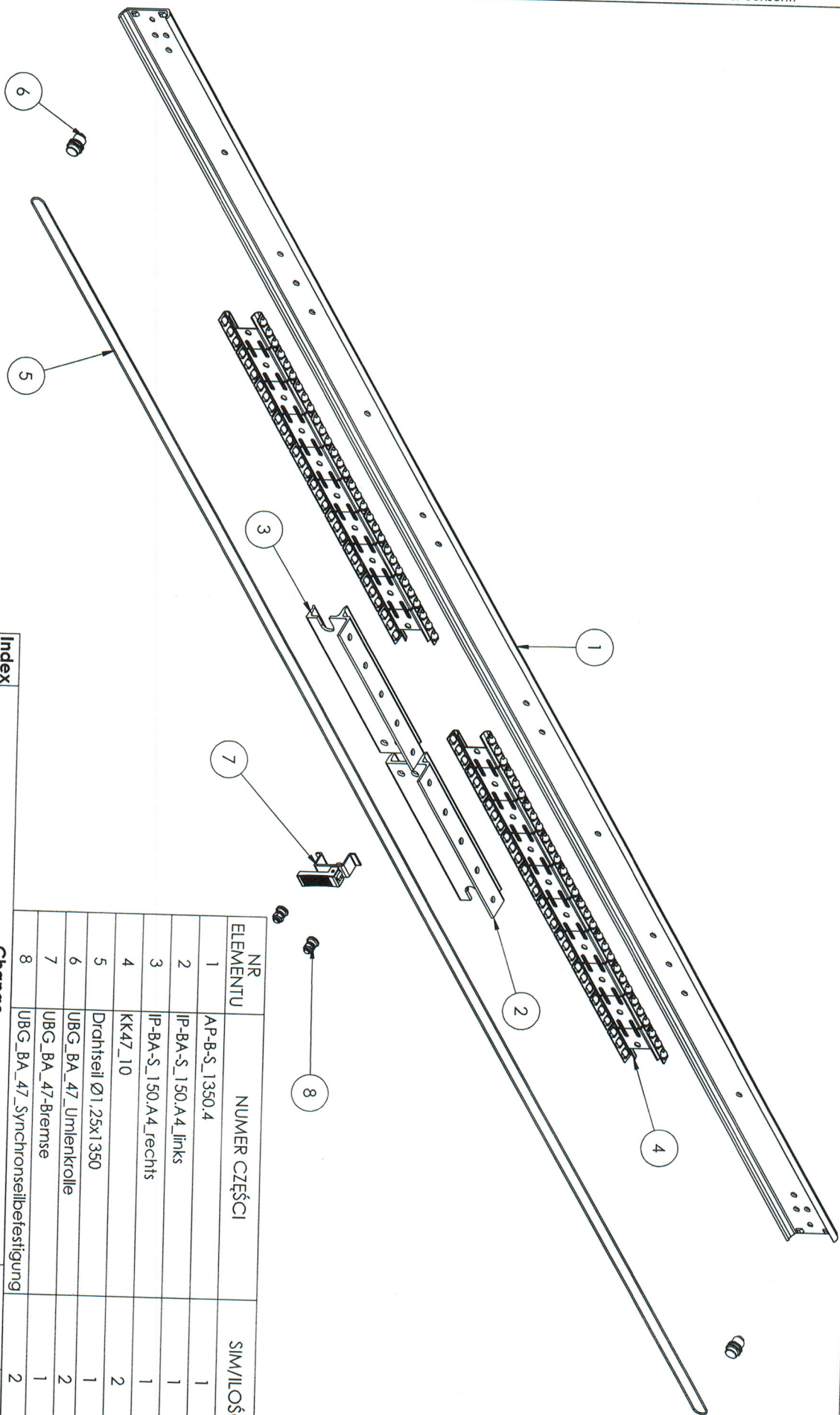
CLOSE



OPEN

Index	Change		Date	Name
Description: BA-SB-1350.4-150.A4-KK10				
DIN ISO 128-30	Surface:	Material:	Weight: kg	
PÖTTKER	Signed	Name	Date	Company
Transforming furniture	Piaseczyński	21.11.2013		
Tested				
General tolerance: DIN ISO 2768 -1	Item No: 47135904	Scale	1:4	Page 2/3
Second Company:				A3

All property rights and rights to exploitation of copyright for this drawing data remain ours; they may not be made available to third parties without our consent.



NR ELEMENTU	NUMER CZĘŚCI	SIM/ILUŚĆ
1	AP-B-S_1350.4	1
2	IP-BA-S_150.A4_links	1
3	IP-BA-S_150.A4_rechts	1
4	KK47_10	2
5	Drahtseil Ø1,25x1350	1
6	UBG_BA_47_Umlenkrolle	2
7	UBG_BA_47-Bremse	1
8	UBG_BA_47_Synchronselb Befestigung	2

Index	Description:	Date	Name
	BA-SB-1350.4-150.A4-KK10		

Description:		Date		Name	
Surface:		Material:		Weight:	
DIN ISO 128-30				kg	

PÖTTER		Name		Date		Company	
Transforming furniture		Signed		Date		Company	
Tested		Piaszczyński		21.11.2013			

General tolerance: DIN ISO 2768-1		Item No: 47135904		Scale 1:3		Page 3/3		A3	
		Second Company:							

K:\RYSUNKI\KOBUS\BA-SB-1350.4-150.A4-KK10\