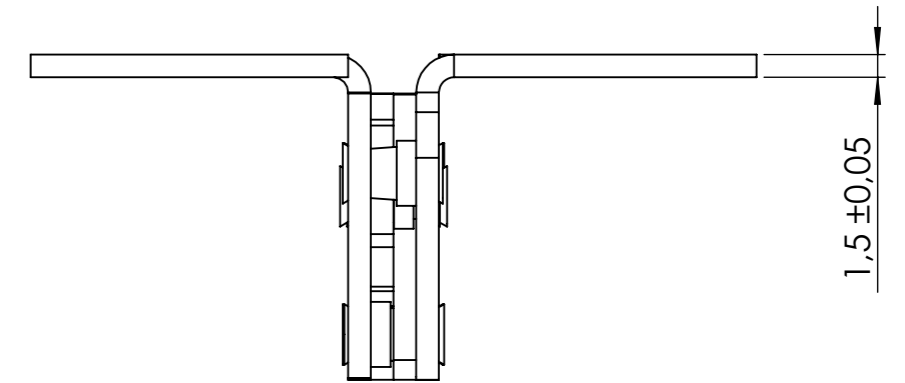
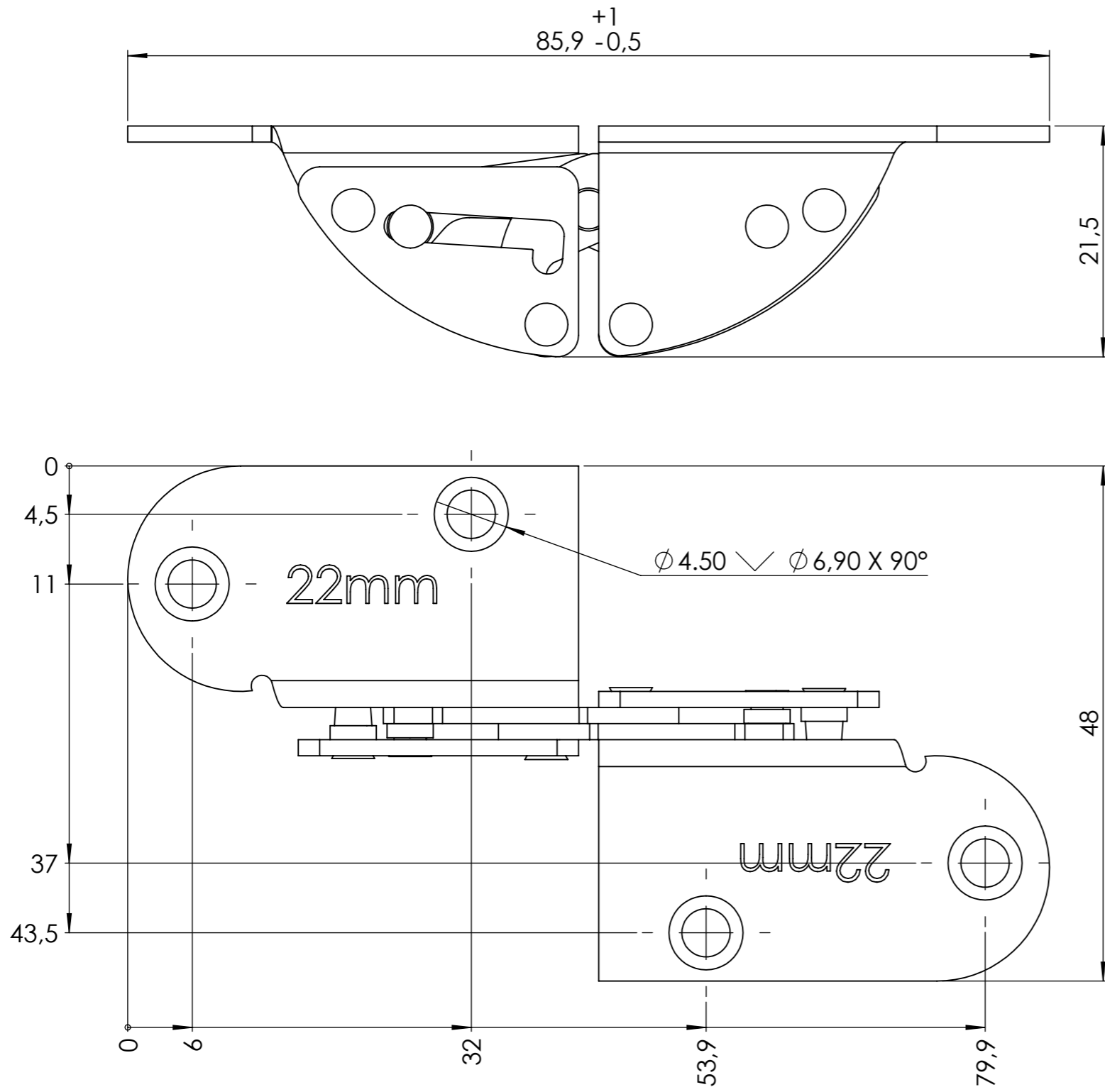
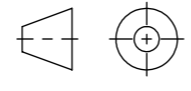



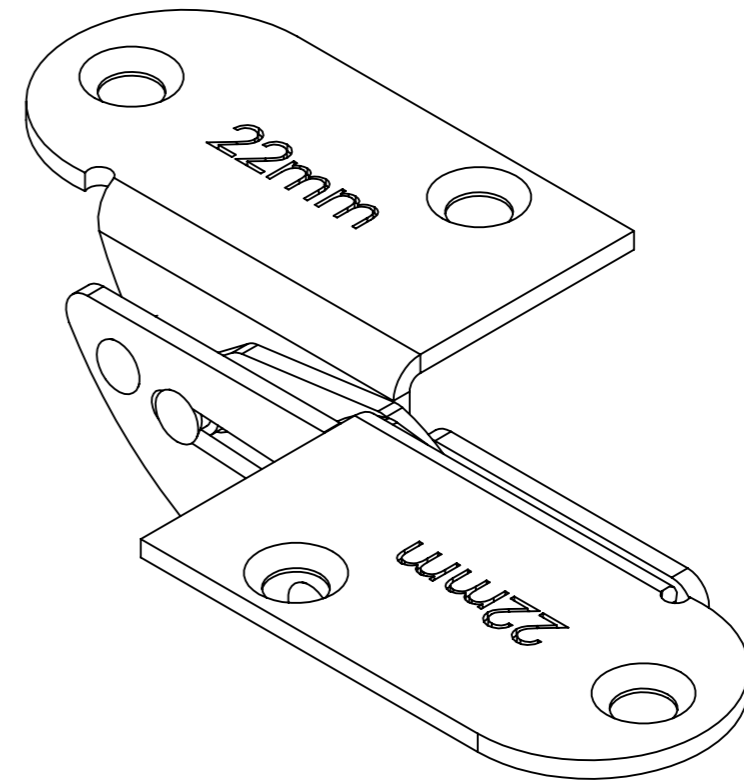
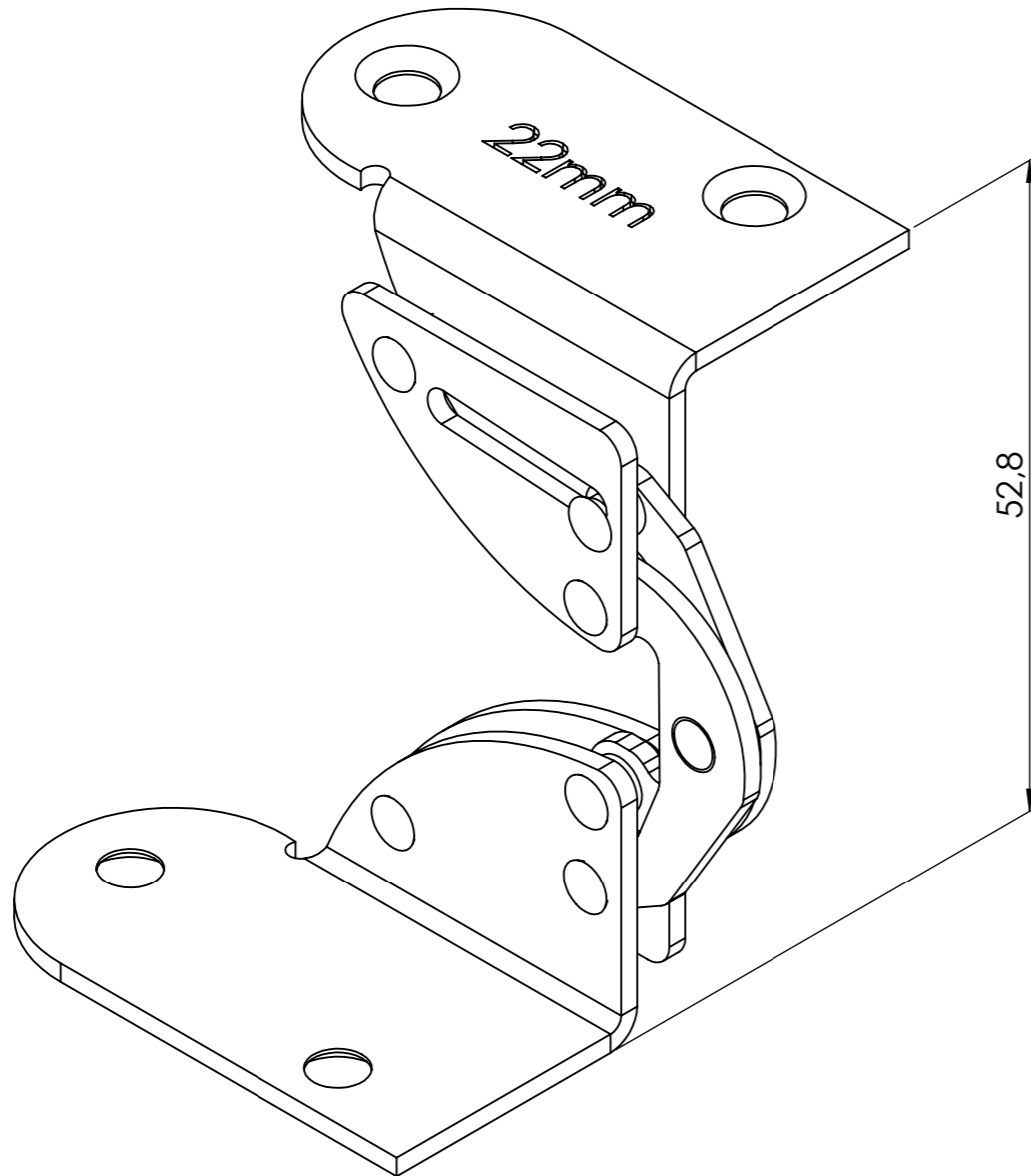
All property rights and rights to exploitation of copyright for this drawing data remain ours; they may not be made available to third parties without our consent.



Index	Change			Date	Name
 DIN ISO 128-30	Description: Klappscharnier 180°, 22mm				
	Surface: galvanized		Material: DX51D+Z100 (1.0226)		Weight: 0.04 kg
 Transforming furniture	Name		Date		Company
	Signed		Date		Company
	Tested		Date		Second Company:
General tolerance: DIN ISO 2768 - M		Item No: 15307		Scale 2:1	Page 1/3

All property rights and rights to exploitation of copyright for this drawing data remain ours; they may not be made available to third parties without our consent.

CLOSE



OPEN

 DIN ISO 128-30	Description: Klappscharnier 180°, 22mm					
	Surface: galvanized		Material: DX51D+Z100 (1.0226)		Weight: 0.04 kg	
PÖTTKER Transforming furniture		Name	Date	Company		
	Signed	Heiler	27.02.15			
	Tested	D. Carrera	20.04.2015	Second Company:		
General tolerance: DIN ISO 2768 - m		Item No:	15307	Scale 2:1	Page 2/3	A3