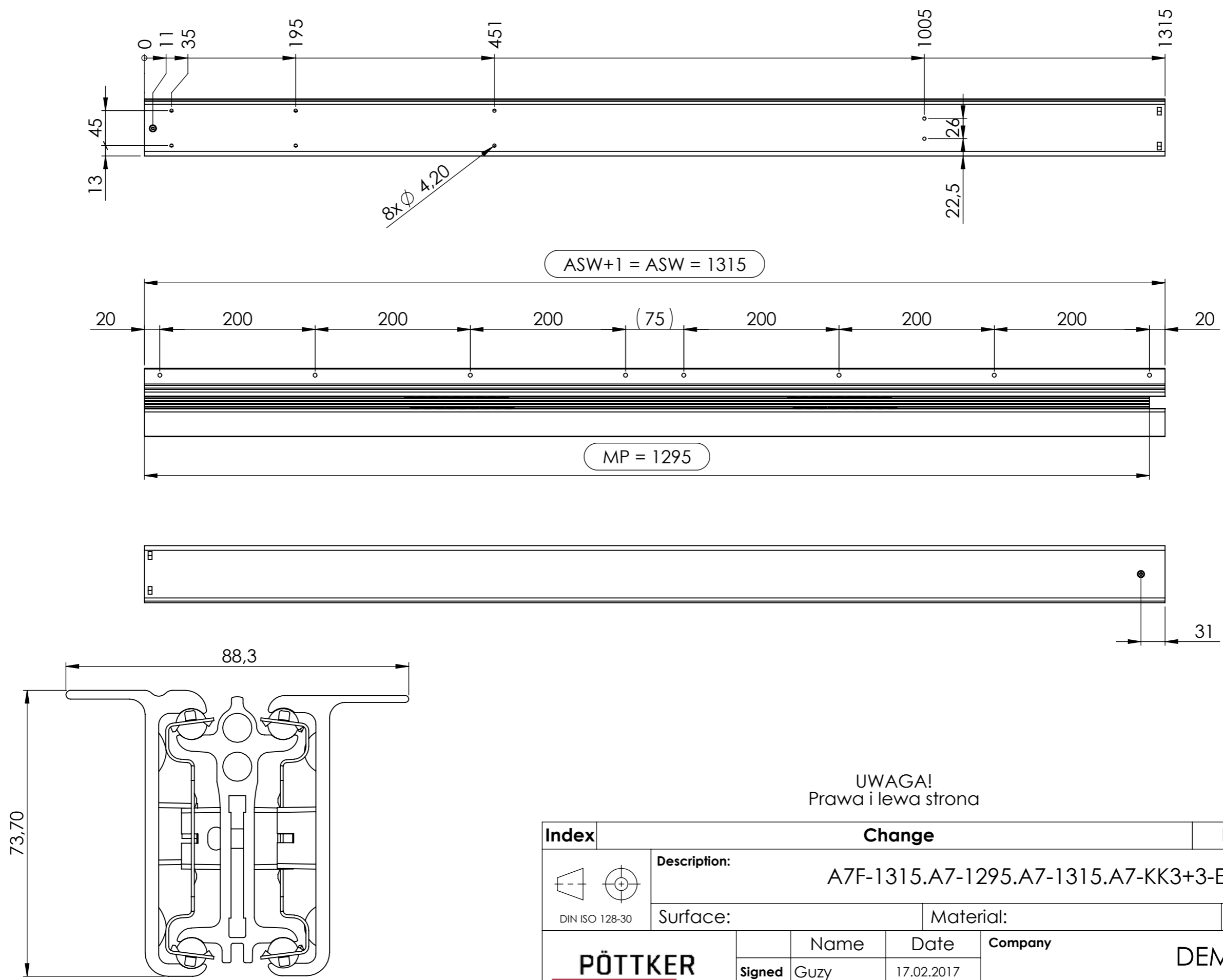
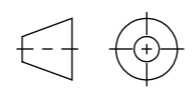



All property rights and rights to exploitation of copyright for this drawing data remain ours; they may not be made available to third parties without our consent.



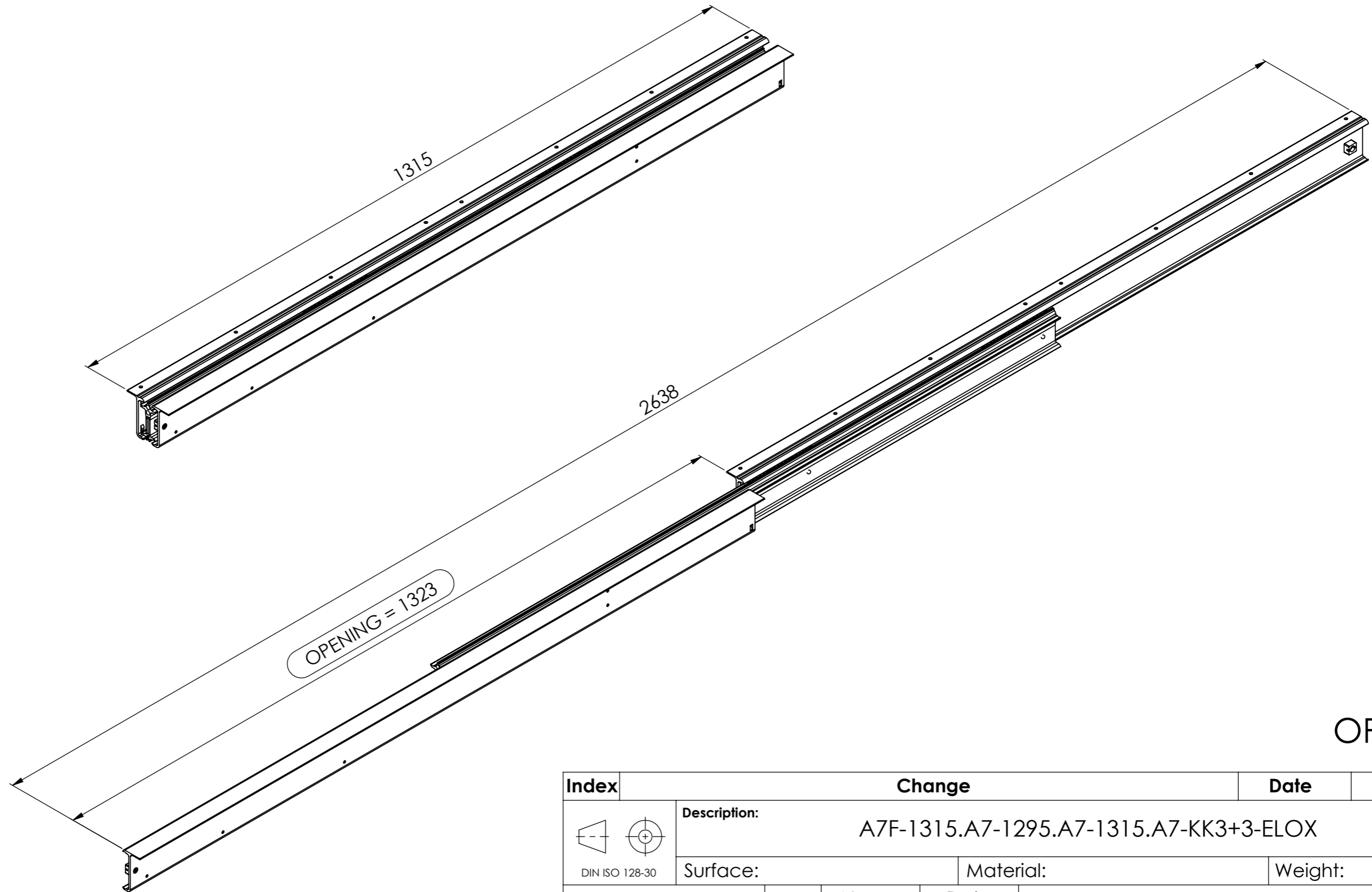
opening: ca. 1323 mm

UWAGA!
Prawa i lewa strona

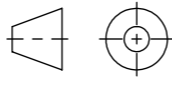

Index	Change		Date	Name
 DIN ISO 128-30	Description: A7F-1315.A7-1295.A7-1315.A7-KK3+3-ELOX			
	Surface:		Material:	Weight: kg
 Transforming furniture	Name	Date	Company	
	Signed	Guzy	17.02.2017	DEMOS
	Tested			Second Company:
General tolerance: DIN ISO 2768 -1		Item No:	Scale 1:10	Page 1/4

A3

CLOSE



OPEN

Index	Change			Date	Name
 DIN ISO 128-30	Description: A7F-1315.A7-1295.A7-1315.A7-KK3+3-ELOX				
	Surface:		Material:		Weight: kg
 Transforming furniture	Name	Date	Company		
	Signed	Guzy	17.02.2017	DEMOS	
	Tested			Second Company:	
General tolerance: DIN ISO 2768 -1		Item No:		Scale 1:1	Page 2/4
					A3

All property rights and rights to exploitation of copyright for this drawing data remain ours; they may not be made available to third parties without our consent.