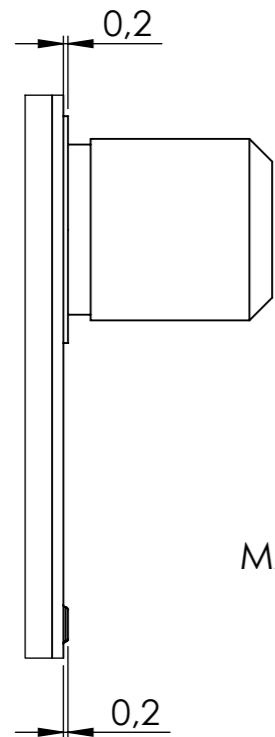
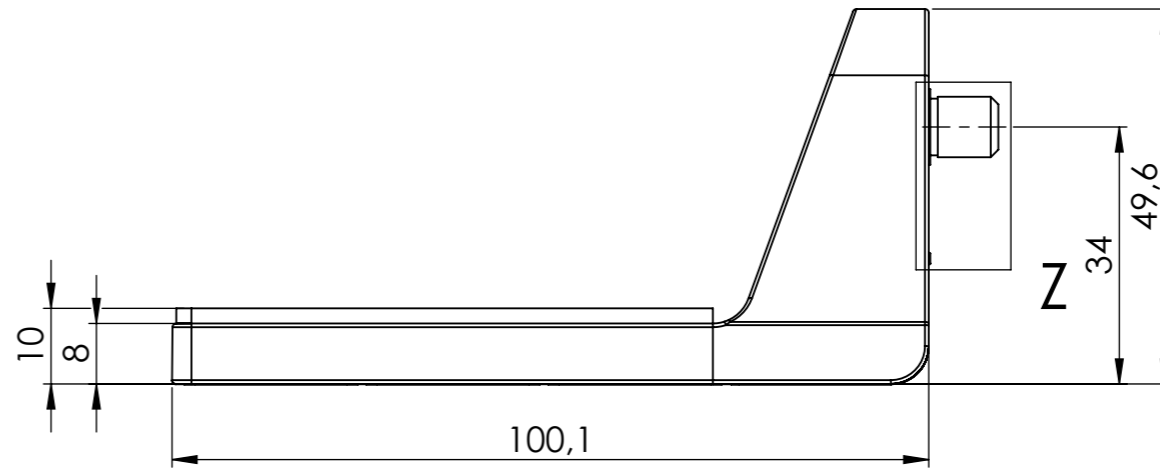
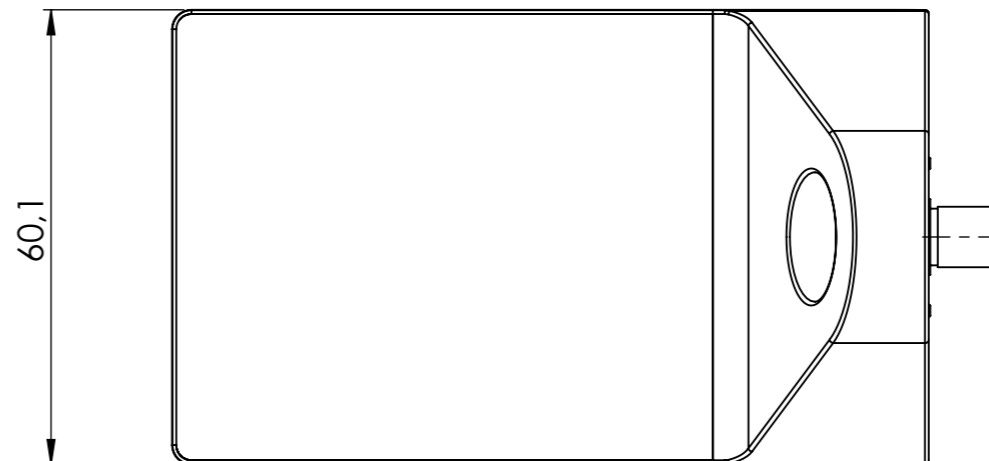


All property rights and rights to exploitation of copyright for this drawing data remain ours; they may not be made available to third parties without our consent.



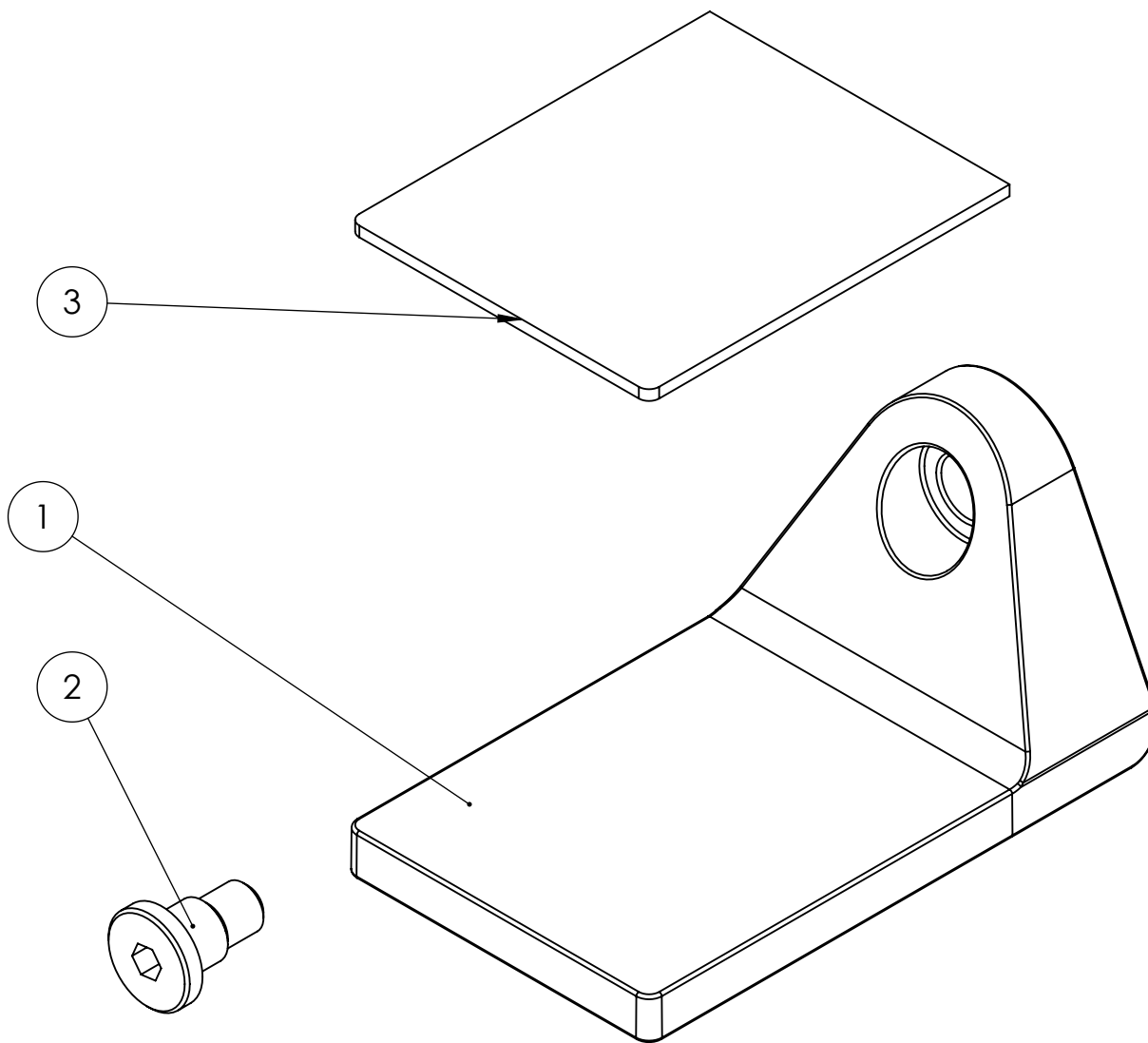
DETAIL Z
MAßSTAB 3 : 1

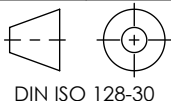



Index	Change			Date	Name
 DIN ISO 128-30	Description: Set-Wippe/100x60x50/Kunststoff				
	Surface:		Material: diverse		Weight: 0.06 kg
 Transforming furniture		Name	Date	Company	
	Signed	Vandyck	09.10.2017		
	Tested	P. Vandyck	22.11.2018	Second Company:	
General tolerance: DIN ISO 2768 - m		Item No: 56990383	Scale 1:1	Page 1/2	A3

All property rights and rights to exploitation of copyright for this drawing data remain ours; they may not be made available to third parties without our consent.

POS.	Item.No	Artikelbezeichnung	Menge
1	16159	Wippe/100x60x49,6/Kunststoff	1
2	14137	E130, Schulterpassschraube Wippe	1
3	15396	Filtzuschnitt/71x59x2/selbstklebend/braun	1



Index	Change		Date	Name
	Description: Set-Wippe/100x60x50/Kunststoff			
 Transforming furniture	Signed	Vandyck	09.10.2017	Surface:
	Tested	P. Vandyck	22.11.2018	Material: diverse
General tolerance: DIN ISO 2768 - m		Item No: 56990383	Weight: 0.06 kg	Scale 1:1
			Page 2/2	A4