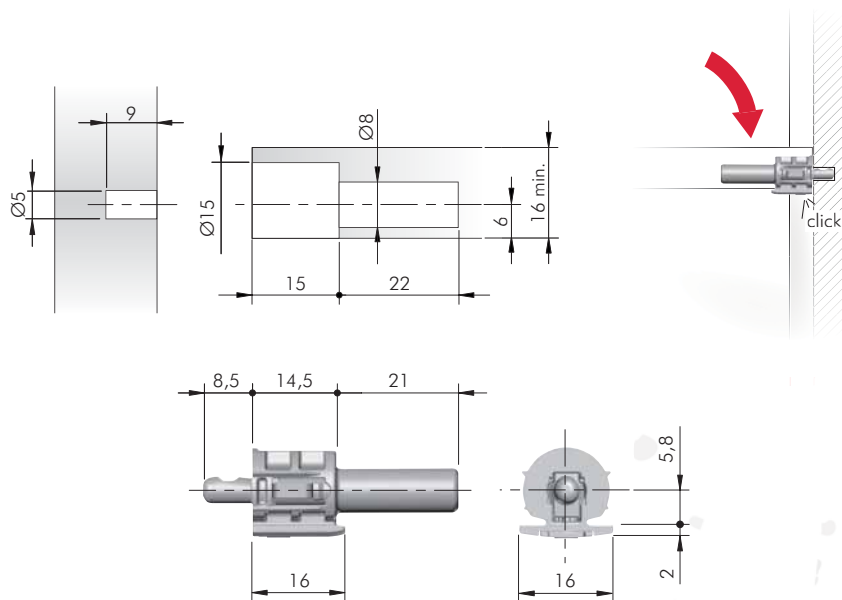
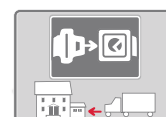




For further information:  
[www.italianaferamenta.com](http://www.italianaferamenta.com)  
 ▶ CATALOGUE ▶ NEW PRODUCTS ▶ KINTAI



- ▶ KINTAI is the new shelf support with minimal and elegant design, available in three colours to satisfy any matching needs according to the finish of the shelf.
- ▶ Suitable for shelves with minimum 16 mm thickness, KINTAI grants a loading capacity of 70 Kg per shelf (internal test according to norm UNI 16337:2013).
- ▶ The 5mm pin with spring system allows an easy and fast positioning of the inner shelves and the delivery of the cabinet with all shelves already assembled.
- ▶ The shelves can be repositioned with few manual operations, simply by moving the plastic cover and clicking in and out the pin of KINTAI.
- ▶ The installation requires an easy edge boring of the panel with a dedicated drill bit. KINTAI is also conceived for automatic assembly.



### KINTAI FOR WOOD THICKNESS 16 mm MINIMUM



White

**C010002370** Set KINTAI, white.

= 100 pcs.



Grey

**C010002371** Set KINTAI, grey.

= 100 pcs.



Anthracite

**C010002372** Set KINTAI, anthracite.

= 100 pcs.