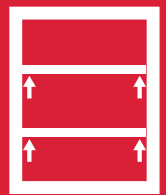




# Entry Level Shelf Supports



SHELF  
SUPPORTS



# SYMBOLS AND FINISHES LEGEND

## SYMBOLS



= SHELF SAFELY LOCKED DURING TRANSPORTATION AND AT HOME.



= ANTI-TURNOVER LOCKING SYSTEM



= NORMS / PATENTS



= PHILLIPS / POZIDRIV



= WITH BUFFER



= PART NO.



= BLADE SLOT



= WITH MAGNET



= PCS. PER PACKAGE



= COMBI SLOT



= HEXAGONAL SOCKET



= NEWTON



= CAPACITY LOADING



= HEXALOBULAR SOCKET



= FRICTION



= WOOD / GLASS THICKNESS



= COUNTERSUNK HEAD



= AUTOMATIC



= HOLE DIAMETER



= PAN HEAD



= DROP DOWN



= DIAMETER



= FLANGE HEAD



= LENGTH



= FLAT HEAD



= STANDARD HINGE



= HEIGHT



= TRILOBULAR SCREW



= KIMANA HINGE



= RIGHT VERSION



= SELF-TAPPING SCREW



= FLAP HINGE



= LEFT VERSION



= EURO THREAD



= WITH SPRING



= SETTING CODE



= METRIC THREAD



= WITHOUT SPRING



= PCS. PER PAD



= PRE-INSERTED SCREW



= REVERSED SPRING



= CUT ON REQUEST



= PRE-INSERTED SCREW AND SPREADING BUSH



= SELF ADHESIVE



= WITH FLANGE

NOTE: Printing errors and omissions may exist despite our best efforts to ensure accuracy. We reserve the right to alter specifications without notice.

## MATERIALS

**ZA** = Zinc Alloy

**ST** = Steel

**HSS** = High Speed Steel

**BR** = Brass

**ABS** = Acrylonitrile Butadiene Styrene

**ZAnk** = Nickel-plated Zinc Alloy

**STzk** = Zinc-plated Steel

**AL** = Aluminium

**WD** = Wood

**EVA** = Ethylene Vinyl Acetate

**EP** = **ENGINEERING PLASTIC**

+ **EP** = other engineering plastic available on request

**SR** = **SOFT RUBBER**

+ **SR** = other soft rubber available on request

**EPn** = Natural Engineering Plastic

**EPc** = Clear Engineering Plastic

**SRn** = Natural Soft Rubber

**EPw** = White Engineering Plastic

**EPg** = Grey Engineering Plastic

**SRw** = White Soft Rubber

**EPwg** = Water Green Engineering Plastic

**SRb** = Black Soft Rubber



## FINISHES

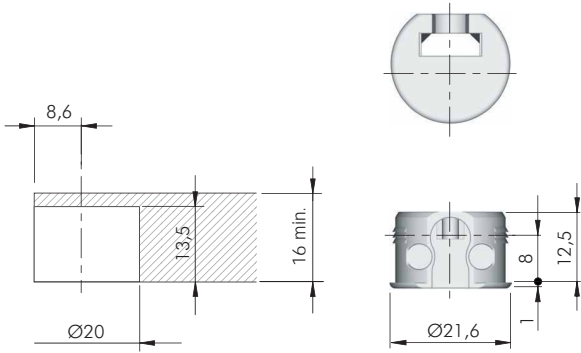




= OTHER FINISHES AVAILABLE ON REQUEST



PART NO.	FINISHES	PART NO.	FINISHES	PART NO.	FINISHES
00	Insignificant finish	IF	Middle Grey	UT	T-Met 9007
AA	Natural	IJ	Light Grey	UZ	T-Met
AB	White	IL	Grey 20	WA	Bronzed
AE	White 9010	IN	Grey met. 26	WI	Burnished
EA	Black	JB	Bright Aluminium	XD	Satin-finished Steel
EC	Matt Black	JC	Aluminium - Chrome	YA	Nickel-plated
EE	Anthracite	JD	Matt Aluminium	YB	Bright Nickel-plated
EW	Grey 9007	JE	Satin-finished Aluminium	YC	Matt Nickel-plated
FU	Gunmetal	JF	Aluminium - Brass	YD	Satin-finished Nickel-plated
FV	Gunmetal V52	JG	Aluminium 5	YQ	Black Nickel
GR	Raw	JL	Aluminium PE 11	Z9	Black Zinc
HA	Brass-Plated	JM	Aluminium RAL 9006	ZA	Zinc alloy
HH	Tropicalized	KA	Chrome	ZN	Zinc-plated
HL	Raw Brass	KB	Bright Chrome	ZQ	Bright Gold
HX	Graphite	KC	Matt Chrome	ZY	Titanium
IA	Grey	NN	Metallic Beige	ZZ	Clear
IB	Metallic Grey	RO	Red		





## DUAL

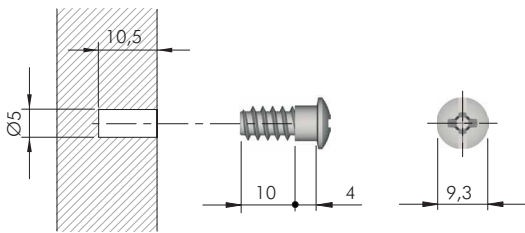



 = 16 mm min.
 




 = 5000 pcs.








**10501010EA**  
**10501010AB**



 = Ø 5 mm

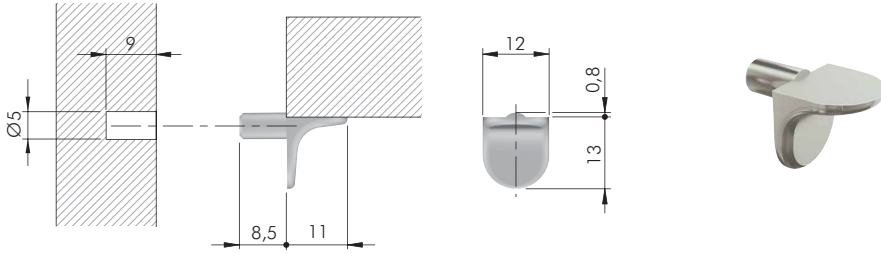

 = 5000 pcs.

**10502010ZN**

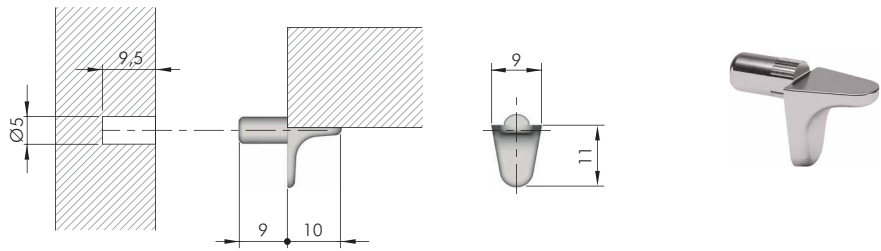


**SECURY PALETTA**

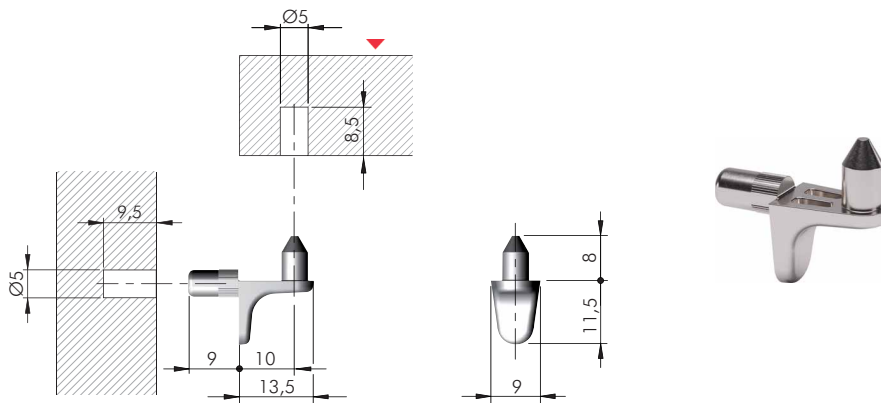


= Ø 5 mm +   
 = 2500 pcs.  
  
**10209020YA**

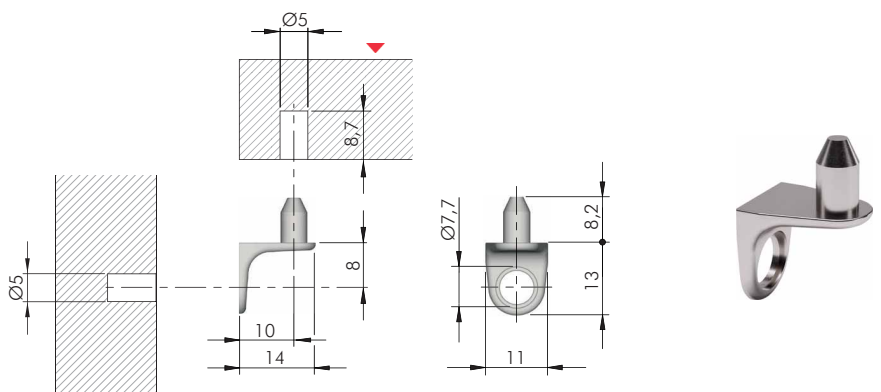
**MINISECURITY** Certificates available on request.



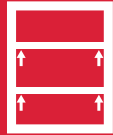
= Ø 5 mm +   
 = 5000 pcs.  
  
**10201010YA**



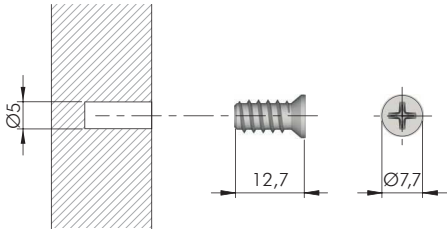
= Ø 5 mm +   
 = 2500 pcs.  
  
**10202010YA**



= Ø 5 mm +   
 = 5000 pcs.  
  
**10204010YA**

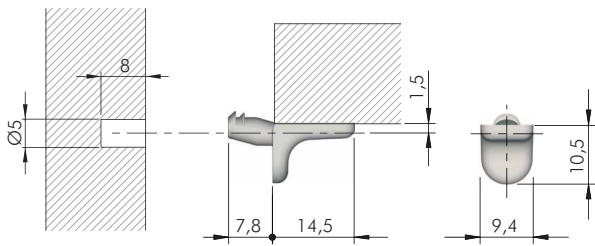


## FIXING ACCESSORY FOR MINISECURITY PART. NO 10204010YA



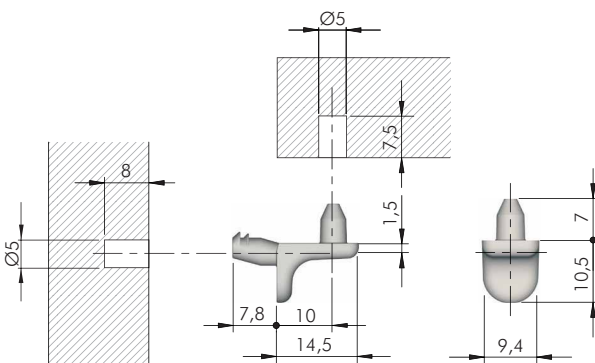
= Ø 5 mm +   
 = PZ2  
 = 5000 pcs.

**60501050YA**



= Ø 5 mm +   
 = 2500 pcs.

**10205010YA**

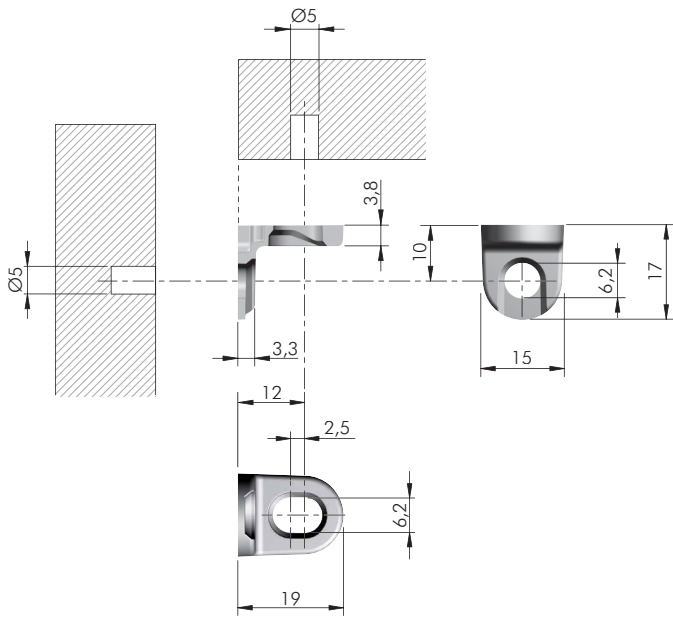


= Ø 5 mm +   
 = 2500 pcs.

**10206010YA**



**PULL-IN CORNER BRACKET**



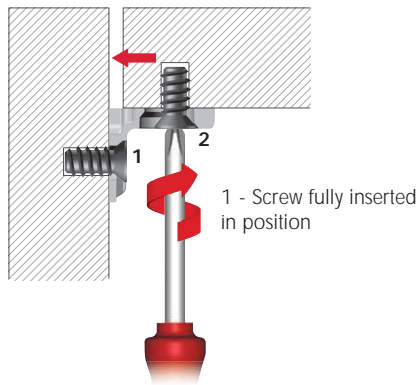
= Ø 5 mm      +

     = 2500 pcs.

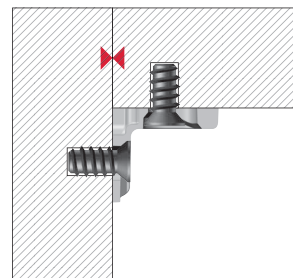
123

**10203010YA**

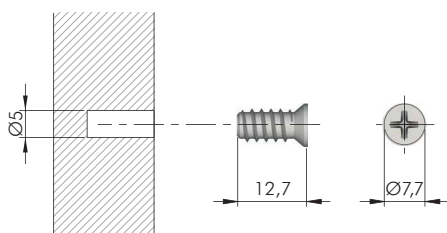
BEFORE SCREWING OPERATION 2



AFTER SCREWING OPERATIONS



**PULL-IN CORNER BRACKET FIXING ACCESSORY**



= Ø 5 mm      +

= PZ2

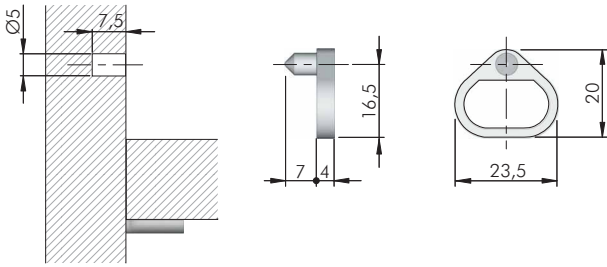
     = 5000 pcs.

123

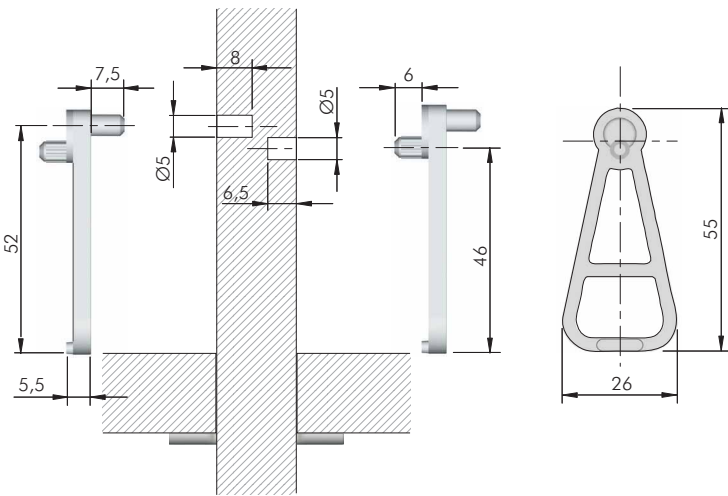
**60501050YA**



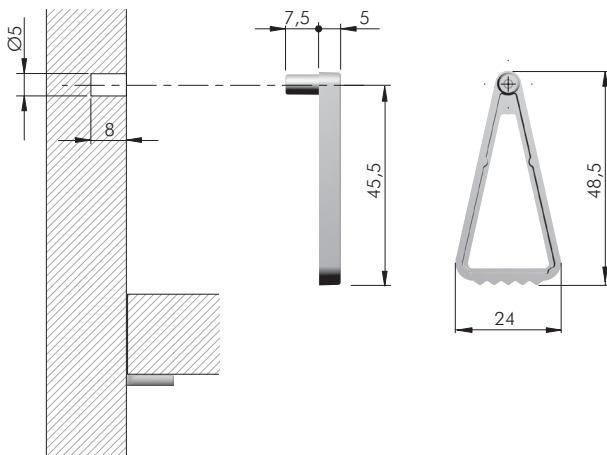
## SHELF RETAINER



= Ø 5 mm	= 5000 pcs.
EP	
123	
<b>10303010AA</b>	

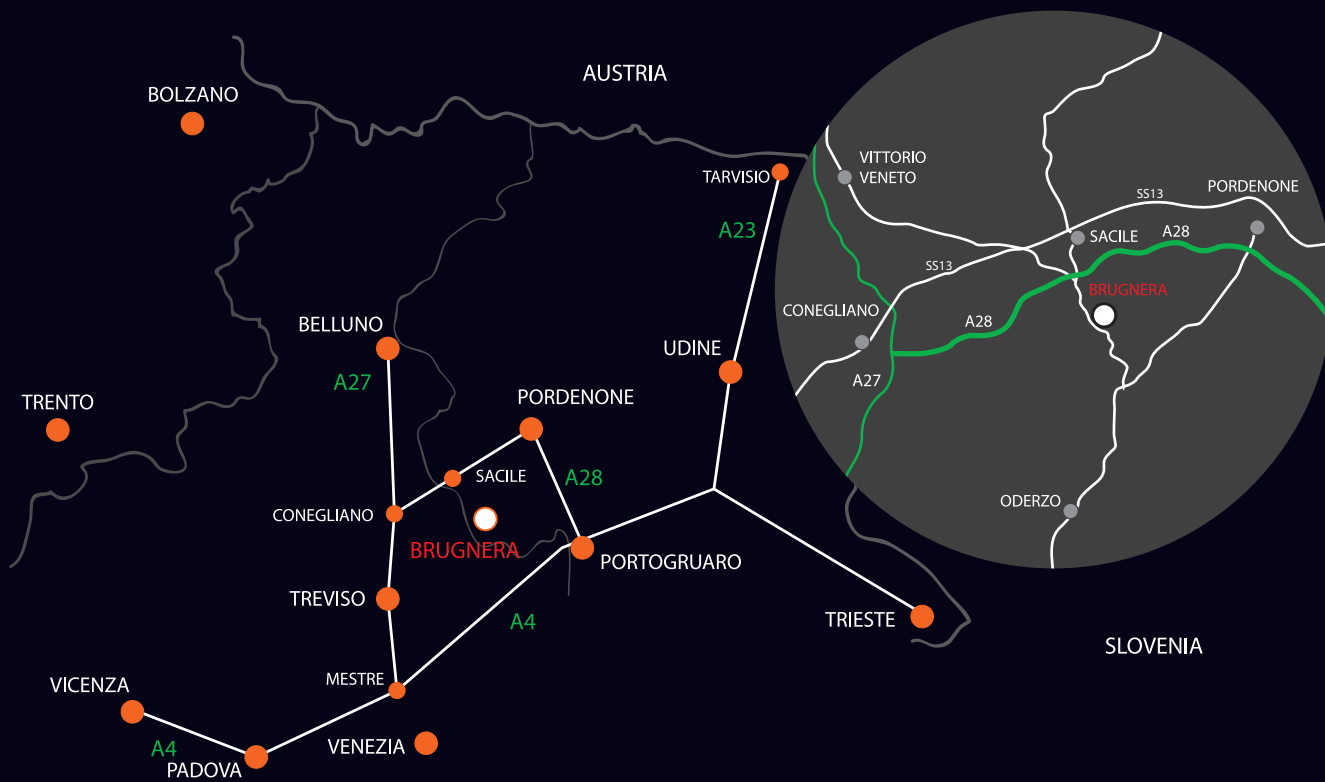


= Ø 5 mm	= 3000 pcs.
EP	
123	
<b>10304010AA</b>	



= Ø 5 mm	= 6000 pcs.
EP	
123	
<b>10305010AA</b>	





[www.italianaferramenta.com](http://www.italianaferramenta.com)