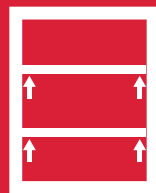


 **ITALIANA**<sup>®</sup>  
f e r r a m e n t a

Unico

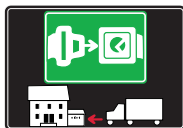


SHELF  
SUPPORTS



# SYMBOLS AND FINISHES LEGEND

## SYMBOLS



= SHELF SAFELY LOCKED DURING TRANSPORTATION AND AT HOME.



= ANTI-TURNOVER LOCKING SYSTEM



= NORMS / PATENTS



= PHILLIPS / POZIDRIV



= WITH BUFFER



= PART NO.



= BLADE SLOT



= WITH MAGNET



= PCS. PER PACKAGE



= COMBI SLOT



= HEXAGONAL SOCKET



= NEWTON



= CAPACITY LOADING



= HEXALOBULAR SOCKET



= FRICTION



= WOOD / GLASS THICKNESS



= COUNTERSUNK HEAD



= AUTOMATIC



= HOLE DIAMETER



= PAN HEAD



= DROP DOWN



= DIAMETER



= FLANGE HEAD



= LENGTH



= FLAT HEAD



= STANDARD HINGE



= HEIGHT



= TRILOBULAR SCREW



= KIMANA HINGE



= RIGHT VERSION



= SELF-TAPPING SCREW



= FLAP HINGE



= LEFT VERSION



= EURO THREAD



= WITH SPRING



= SETTING CODE



= METRIC THREAD



= WITHOUT SPRING



= PCS. PER PAD



= PRE-INSERTED SCREW



= REVERSED SPRING



= CUT ON REQUEST



= PRE-INSERTED SCREW AND SPREADING BUSH



= SELF ADHESIVE



= WITH FLANGE

NOTE: Printing errors and omissions may exist despite our best efforts to ensure accuracy. We reserve the right to alter specifications without notice.

## MATERIALS

**ZA** = Zinc Alloy

**ST** = Steel

**HSS** = High Speed Steel

**BR** = Brass

**ABS** = Acrylonitrile Butadiene Styrene

**ZAnk** = Nickel-plated Zinc Alloy

**STzk** = Zinc-plated Steel

**AL** = Aluminium

**WD** = Wood

**EVA** = Ethylene Vinyl Acetate

**EP** = **ENGINEERING PLASTIC**

+ **EP** = other engineering plastic available on request

**SR** = **SOFT RUBBER**

+ **SR** = other soft rubber available on request

**EPn** = Natural Engineering Plastic

**EPc** = Clear Engineering Plastic

**SRn** = Natural Soft Rubber

**EPw** = White Engineering Plastic

**EPg** = Grey Engineering Plastic

**SRw** = White Soft Rubber

**EPwg** = Water Green Engineering Plastic

**SRb** = Black Soft Rubber



## FINISHES



+ **OTHER FINISHES AVAILABLE ON REQUEST**

PART NO.	FINISHES	PART NO.	FINISHES	PART NO.	FINISHES
00	Insignificant finish	IF	Middle Grey	UT	T-Met 9007
AA	Natural	IJ	Light Grey	UZ	T-Met
AB	White	IL	Grey 20	WA	Bronzed
AE	White 9010	IN	Grey met. 26	WI	Burnished
EA	Black	JB	Bright Aluminium	XD	Satin-finished Steel
EC	Matt Black	JC	Aluminium - Chrome	YA	Nickel-plated
EE	Anthracite	JD	Matt Aluminium	YB	Bright Nickel-plated
EW	Grey 9007	JE	Satin-finished Aluminium	YC	Matt Nickel-plated
FU	Gunmetal	JF	Aluminium - Brass	YD	Satin-finished Nickel-plated
FV	Gunmetal V52	JG	Aluminium 5	YQ	Black Nickel
GR	Raw	JL	Aluminium PE 11	Z9	Black Zinc
HA	Brass-Plated	JM	Aluminium RAL 9006	ZA	Zinc alloy
HH	Tropicalized	KA	Chrome	ZN	Zinc-plated
HL	Raw Brass	KB	Bright Chrome	ZQ	Bright Gold
HX	Graphite	KC	Matt Chrome	ZY	Titanium
IA	Grey	NN	Metallic Beige	ZZ	Clear
IB	Metallic Grey	RO	Red		



## UNICO

UNICO is a wood shelf support to be slotted into the panel by making face borings. It is conceived also for transportation, as the shelf is secured in position, thus it is a useful solution for both flat pack and rigid furniture. It consists of a zinc alloy shelf support with a ridged wing on both sides combined with a sliding engineering plastic clip. When the sliding clip moves forwards, its wedge shape inside the shelf support applies a pressure against the two zinc alloy ridged wings.

UNICO boasts two main benefits:

- Quicker installation of the shelf: just place in the required position the shelf supports with the wings already spread and then push downwards the shelf. The ridged wings grip into the chipboard and lock the shelf in position.
- Easy repositioning of the shelf: just retreat the wings by moving backwards the sliding clips through the fingernail or screwdriver blade sockets., the wings retreat. Push upwards the shelf to release.

The minimum shelf thickness to install UNICO is 15 mm.



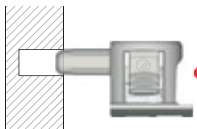
15 mm min.



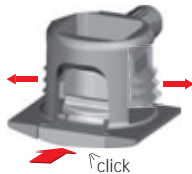
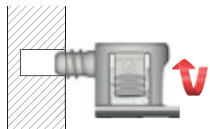
Certificates available on request.



Assembling with smooth pin

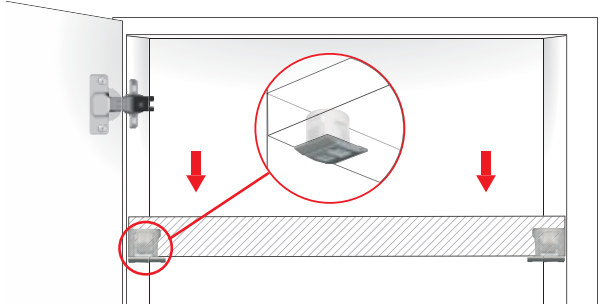
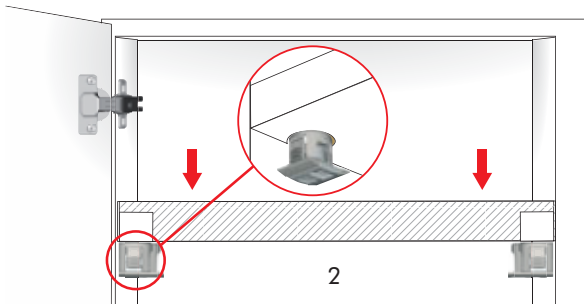
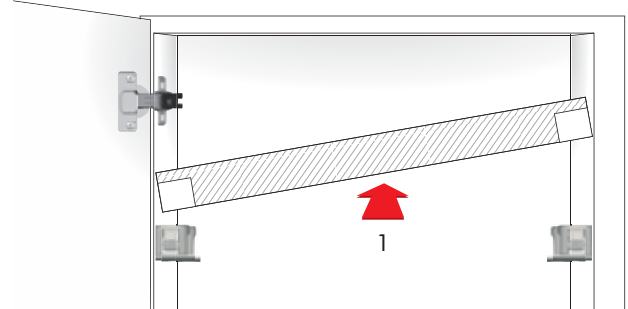


Assembling with threaded pin to achieve horizontal connection

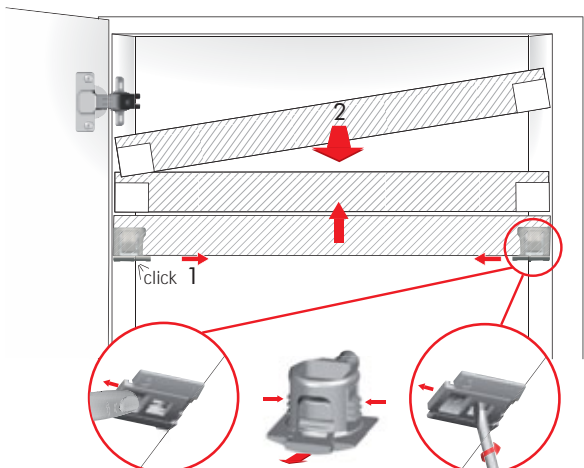


Unico is supplied with the sliding clip already in the forward position ready for installation

### SHELF INSTALLATION

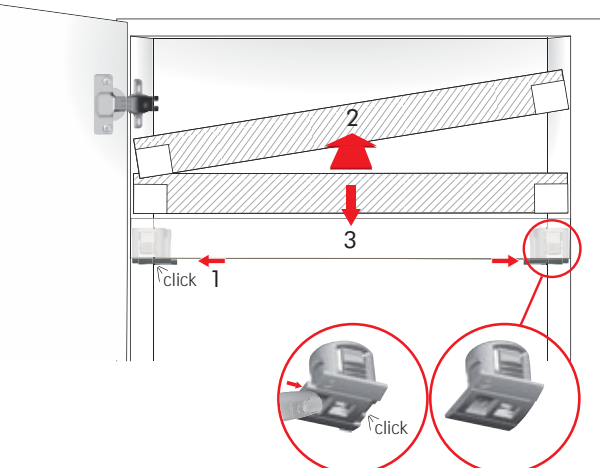


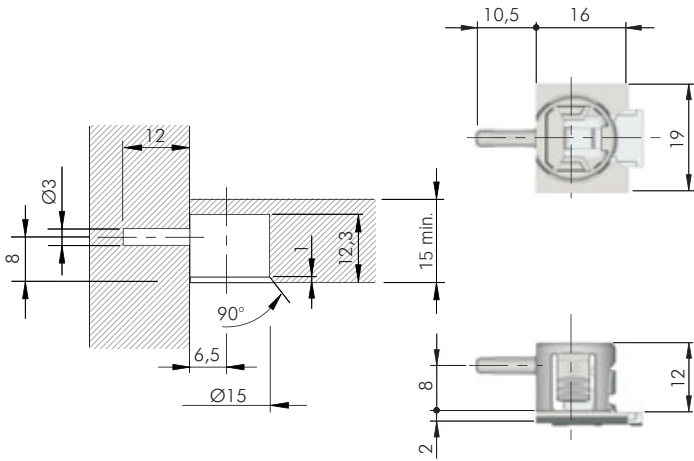
### SHELF REMOVAL FOR NEW REPOSITIONING



Shelf release through fingernail socket

Shelf release through screwdriver blade socket

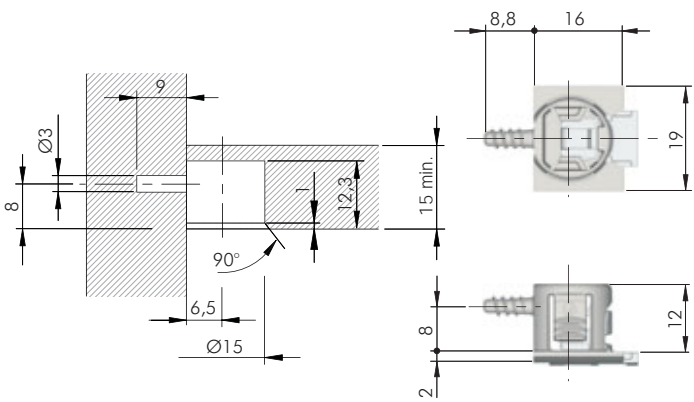




= Ø 3 mm +

= 2500 pcs.

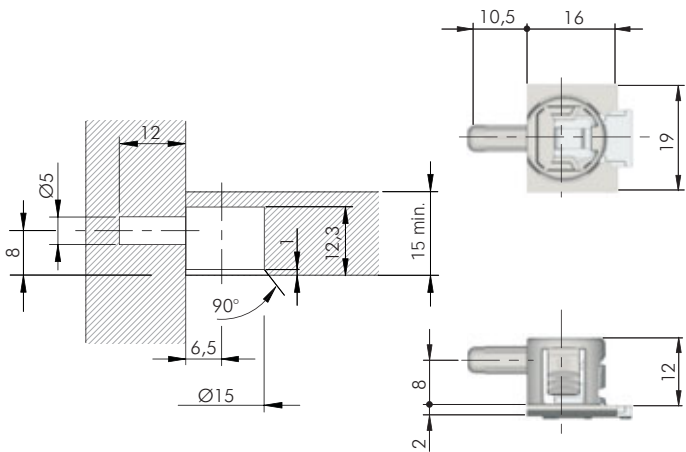
**10703010YA**



= Ø 3 mm +

= 2500 pcs.

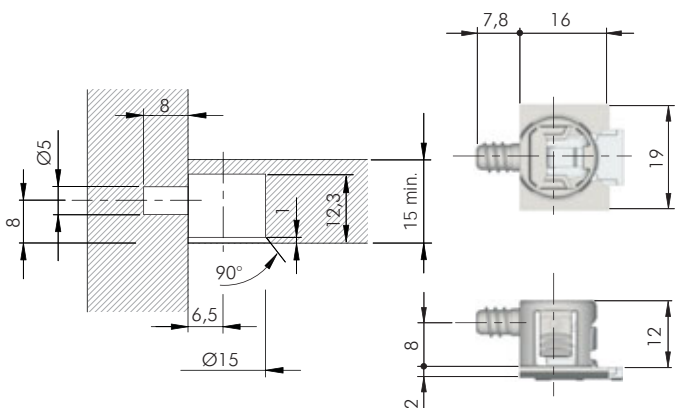
**10704010YA**



= Ø 5 mm +

= 2500 pcs.

**10701010YA**



= Ø 5 mm +

= 2500 pcs.

**10702010YA**

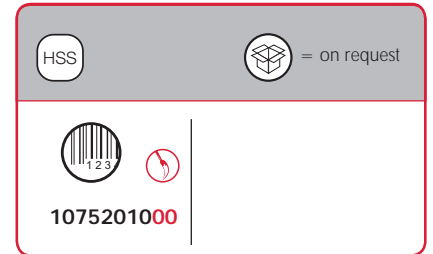
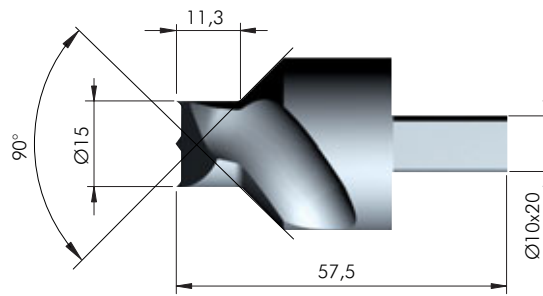
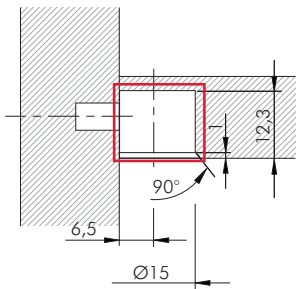


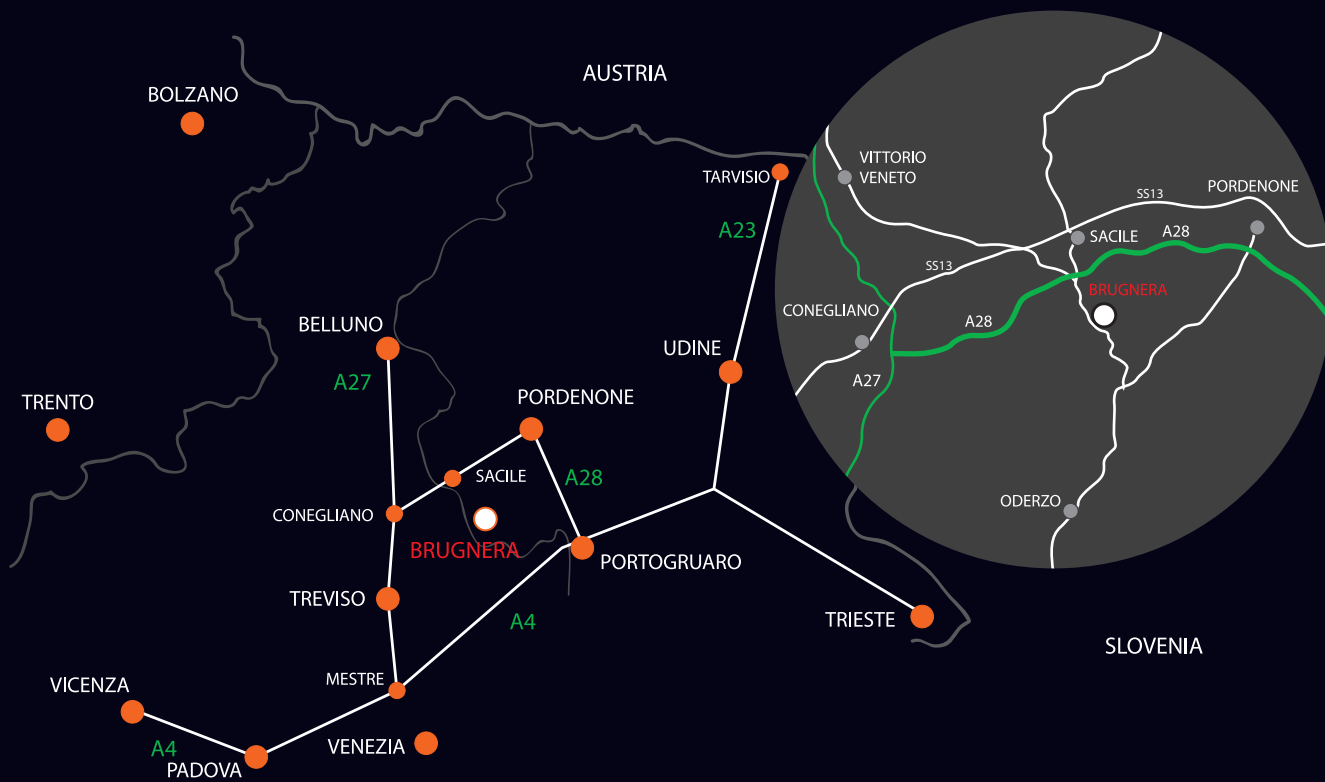
SHELF  
SUPPORTS

UNICO

**ITALIANA**  
ferramenta

## DRILL BIT FOR UNICO





[www.italianaferramenta.com](http://www.italianaferramenta.com)