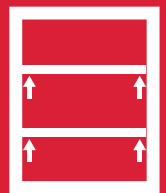


 **ITALIANA**[®]
f e r r a m e n t a



Flipper



SHELF
SUPPORTS



SYMBOLS AND FINISHES LEGEND

SYMBOLS



= SHELF SAFELY LOCKED DURING TRANSPORTATION AND AT HOME.



= ANTI-TURNOVER LOCKING SYSTEM



= NORMS / PATENTS



= PHILLIPS / POZIDRIV



= WITH BUFFER



= PART NO.



= BLADE SLOT



= WITH MAGNET



= PCS. PER PACKAGE



= COMBI SLOT



= HEXAGONAL SOCKET



= NEWTON



= CAPACITY LOADING



= HEXALOBULAR SOCKET



= FRICTION



= WOOD / GLASS THICKNESS



= COUNTERSUNK HEAD



= AUTOMATIC



= HOLE DIAMETER



= PAN HEAD



= DROP DOWN



= DIAMETER



= FLANGE HEAD



= LENGTH



= FLAT HEAD



= STANDARD HINGE



= HEIGHT



= TRILOBULAR SCREW



= KIMANA HINGE



= RIGHT VERSION



= SELF-TAPPING SCREW



= FLAP HINGE



= LEFT VERSION



= EURO THREAD



= WITH SPRING



= SETTING CODE



= METRIC THREAD



= WITHOUT SPRING



= PCS. PER PAD



= PRE-INSERTED SCREW



= REVERSED SPRING



= CUT ON REQUEST



= PRE-INSERTED SCREW AND SPREADING BUSH



= SELF ADHESIVE



= WITH FLANGE

NOTE: Printing errors and omissions may exist despite our best efforts to ensure accuracy. We reserve the right to alter specifications without notice.

MATERIALS

ZA = Zinc Alloy

ST = Steel

HSS = High Speed Steel

BR = Brass

ABS = Acrylonitrile Butadiene Styrene

ZAnk = Nickel-plated Zinc Alloy

STzk = Zinc-plated Steel

AL = Aluminium

WD = Wood

EVA = Ethylene Vinyl Acetate

EP = **ENGINEERING PLASTIC**

+ **EP** = other engineering plastic available on request

SR = **SOFT RUBBER**

+ **SR** = other soft rubber available on request

EPn = Natural Engineering Plastic

EPc = Clear Engineering Plastic

SRn = Natural Soft Rubber

EPw = White Engineering Plastic

EPg = Grey Engineering Plastic

SRw = White Soft Rubber

EPwg = Water Green Engineering Plastic

SRb = Black Soft Rubber



FINISHES



= OTHER FINISHES AVAILABLE ON REQUEST

| PART NO. | FINISHES | PART NO. | FINISHES | PART NO. | FINISHES |
|----------|----------------------|----------|--------------------------|----------|------------------------------|
| 00 | Insignificant finish | IF | Middle Grey | UT | T-Met 9007 |
| AA | Natural | IJ | Light Grey | UZ | T-Met |
| AB | White | IL | Grey 20 | WA | Bronzed |
| AE | White 9010 | IN | Grey met. 26 | WI | Burnished |
| EA | Black | JB | Bright Aluminium | XD | Satin-finished Steel |
| EC | Matt Black | JC | Aluminium - Chrome | YA | Nickel-plated |
| EE | Anthracite | JD | Matt Aluminium | YB | Bright Nickel-plated |
| EW | Grey 9007 | JE | Satin-finished Aluminium | YC | Matt Nickel-plated |
| FU | Gunmetal | JF | Aluminium - Brass | YD | Satin-finished Nickel-plated |
| FV | Gunmetal V52 | JG | Aluminium 5 | YQ | Black Nickel |
| GR | Raw | JL | Aluminium PE 11 | Z9 | Black Zinc |
| HA | Brass-Plated | JM | Aluminium RAL 9006 | ZA | Zinc alloy |
| HH | Tropicalized | KA | Chrome | ZN | Zinc-plated |
| HL | Raw Brass | KB | Bright Chrome | ZQ | Bright Gold |
| HX | Graphite | KC | Matt Chrome | ZY | Titanium |
| IA | Grey | NN | Metallic Beige | ZZ | Clear |
| IB | Metallic Grey | RO | Red | | |



FLIPPER

FLIPPER is a wood shelf support slotted into the shelf by making face borings. The shelf has to be pushed downwards onto the side dowels, which can be placed or screwed into any required position.

The side dowels slot into the socket of the shelf supports and a click locks the shelf in position.

To provide a structural fastening to the furniture, screwed side dowels are required, so that the shelf flushes with the sides, due to the angled shape of the shelf support sockets.



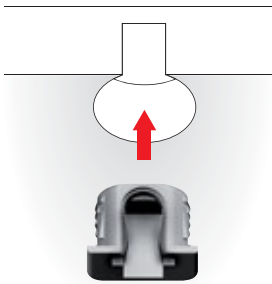
12 mm min.



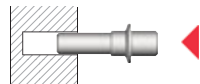
s available on request.



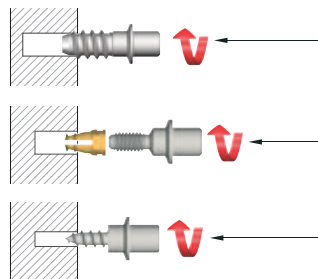
INSTALLATION



Assembling with smooth pin

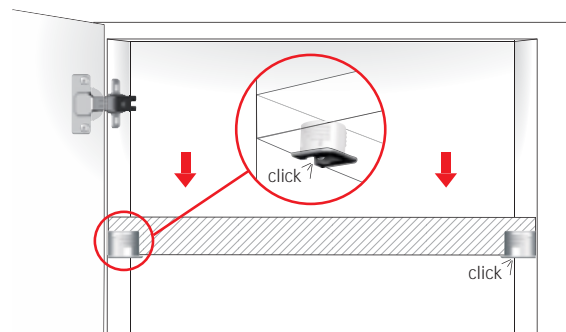
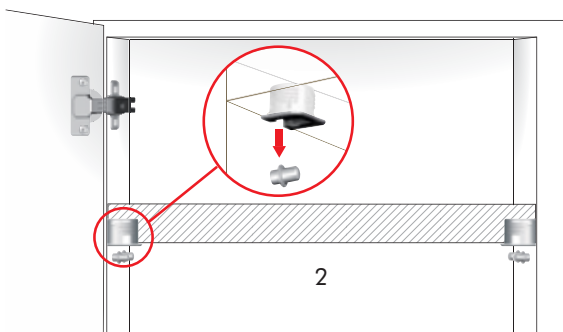
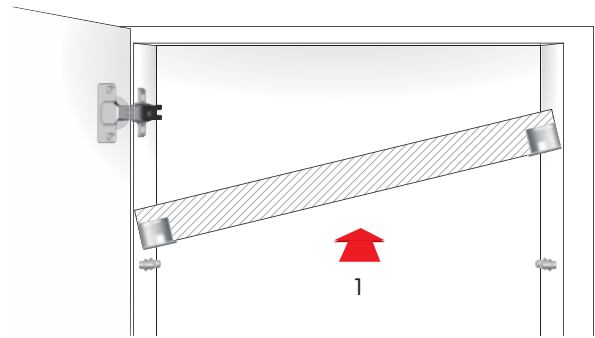


Assembling with threaded pin to achieve horizontal connection

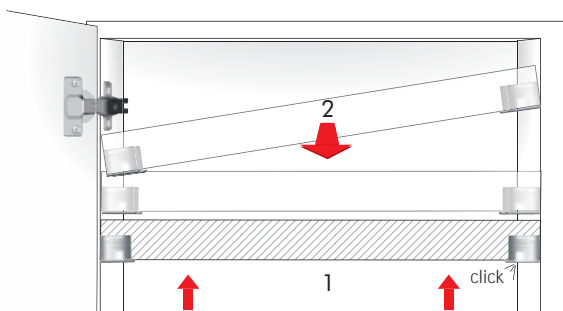


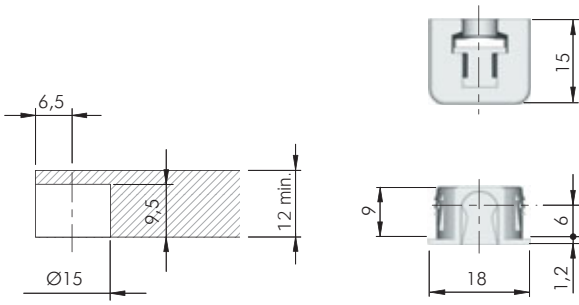
cross PZ2 screwdriver

SHELF INSTALLATION



SHELF REMOVAL FOR NEW REPOSITIONING






 = 12 mm



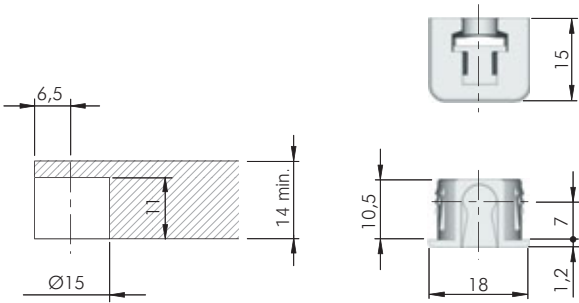
EP

 = 10.000 pcs.



10601010AB


10601010JG



 = 14 mm



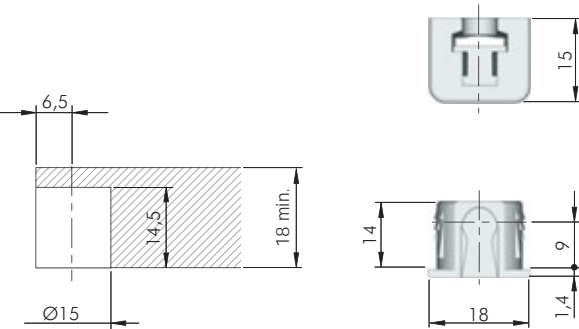
EP

 = 10.000 pcs.



10601020AB


10601020JG



 = 18 mm



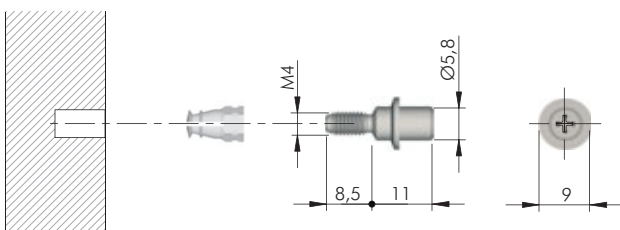
EP

 = 8000 pcs.



10601030AB


10601030JG



 = M4

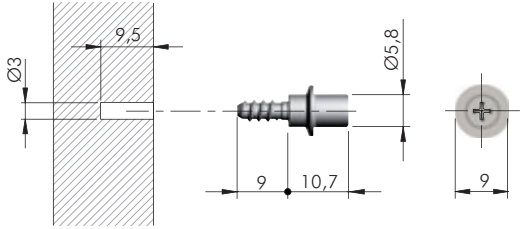
 = PZ2

ST

 = 4000 pcs.



10602010ZN



= Ø 3 mm

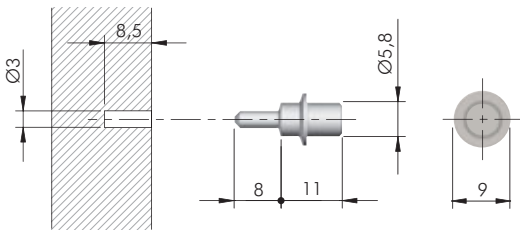
= PZ2

ST

= 2500 pcs.



10603031Zn



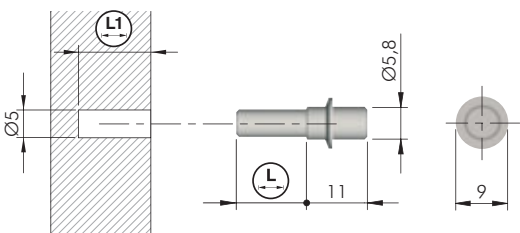
= Ø 3 mm

ST

= 5000 pcs.



10605030Zn



= Ø 5 mm

ST

= 2500 pcs.



10605020Zn



12,5

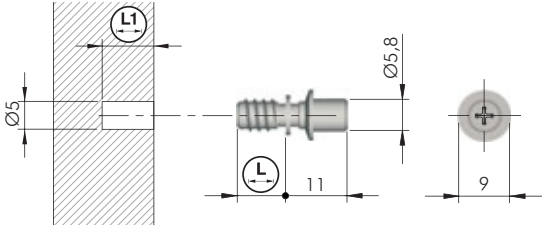


13

10605010Zn

8,5

9



10604020ZN

7,5

8

5000

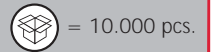
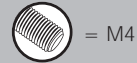
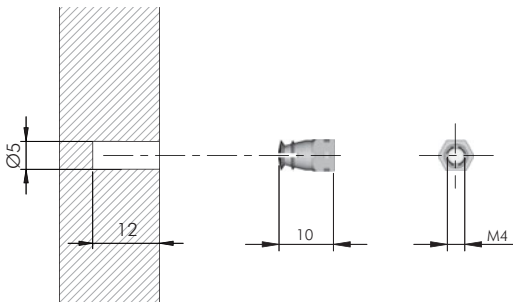
10604010ZN

8,8

9,3

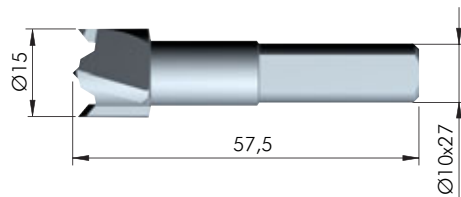
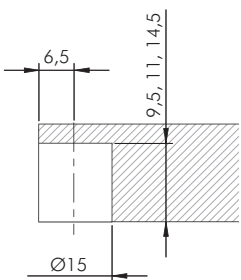
2500

FLIPPER FIXING ACCESSORY

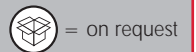


20502021HL

DRILL BIT FOR FLIPPER 12, 14, 18 mm



HSS



1065201000



FLIPPER-BI

FLIPPER-BI is a shelf support suitable for both wood and metal shelves. The shelf has to be pushed downwards onto the side dowels, which can be placed or screwed into any position required. The side dowels slot into the socket of the shelf supports and a click locks the shelf in position. To provide a structural fastening to the furniture screwed side dowels are required, so that the shelf flushes with the sides, due to the angled shape of the shelf support sockets. **FLIPPER-BI** boasts a stylish and highly captivating squared shape.

- Available for:
- min. 18 mm thick wood shelves
 - min. 15,5 mm thick metal shelves

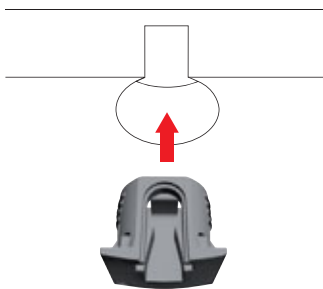


18 mm min.



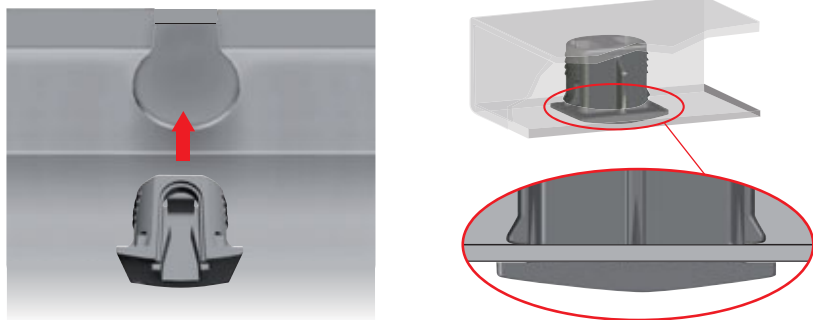
INSTALLATION

WOOD SHELF

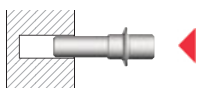


INSTALLATION

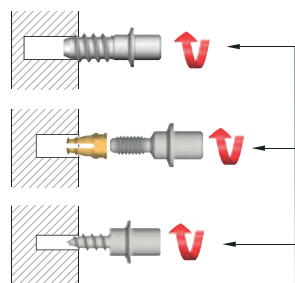
METAL SHELF



Assembling with smooth pin

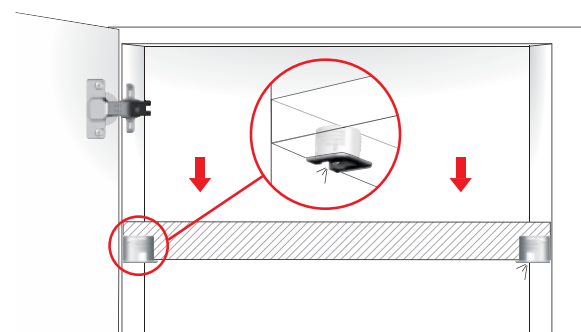
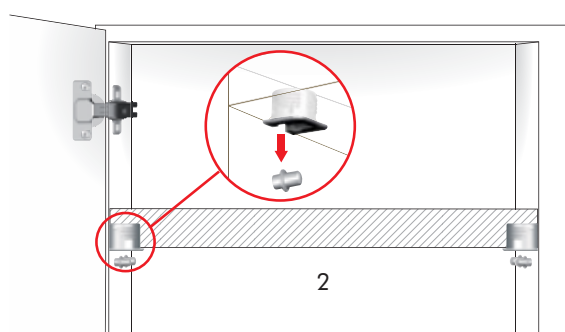
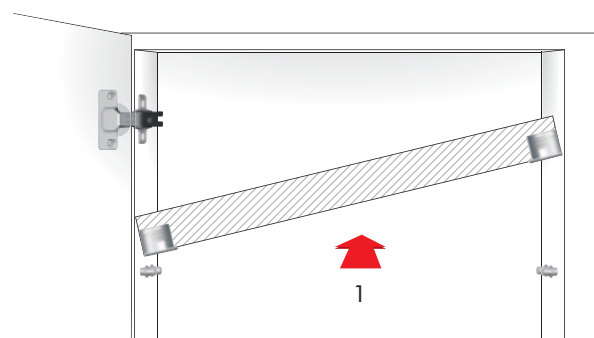


Assembling with threaded pin to achieve horizontal connection



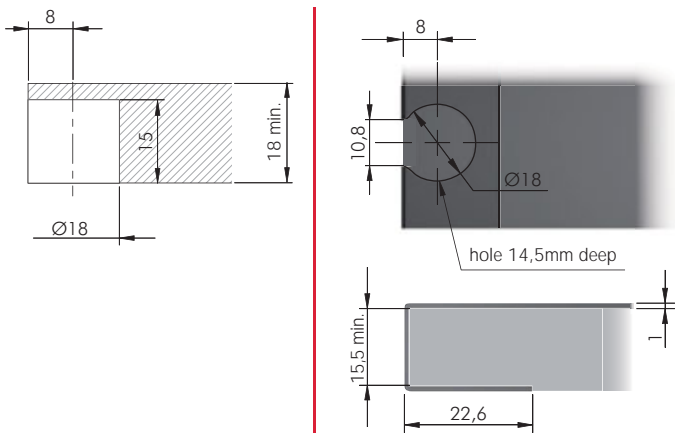
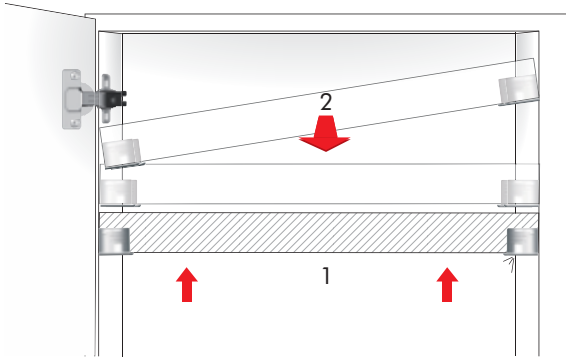
cross PZ2 screwdriver

SHELF INSTALLATION





SHELF REMOVAL FOR NEW REPOSITIONING



= 18 mm min.

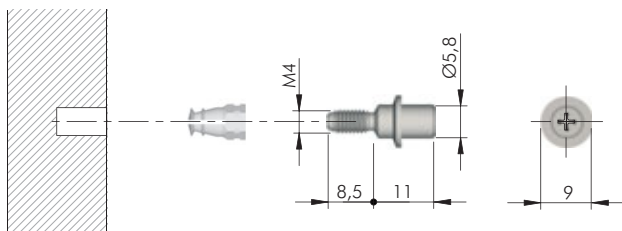
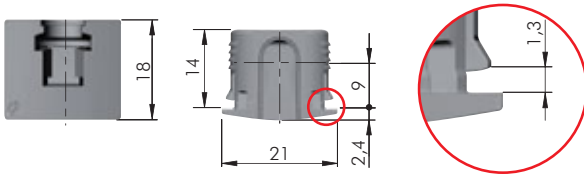
EP

= 5000 pcs.



10601040IL

10601040ZZ



= M4

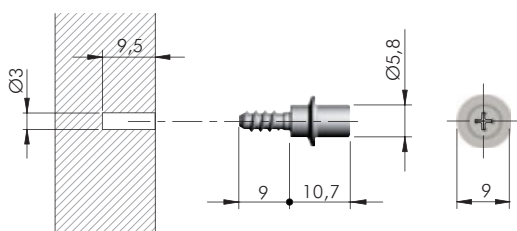
= PZ2

ST

= 4000 pcs.



10602010ZN



= Ø 3 mm

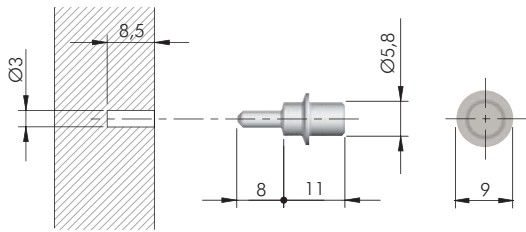
= PZ2

ST

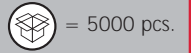
= 2500 pcs.



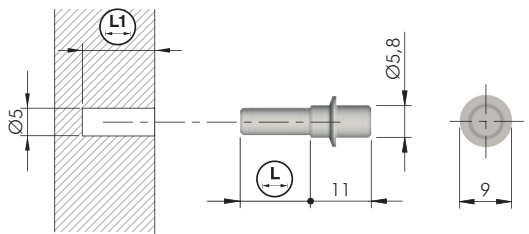
10603031ZN



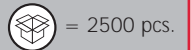
ST



10605030ZN



ST



10605020ZN



12,5

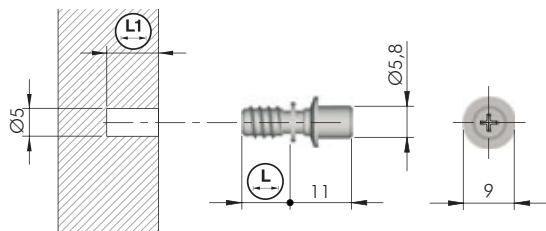


13

10605010ZN

8,5

9



ST



10604020ZN



7,5



8



5000

10604010ZN

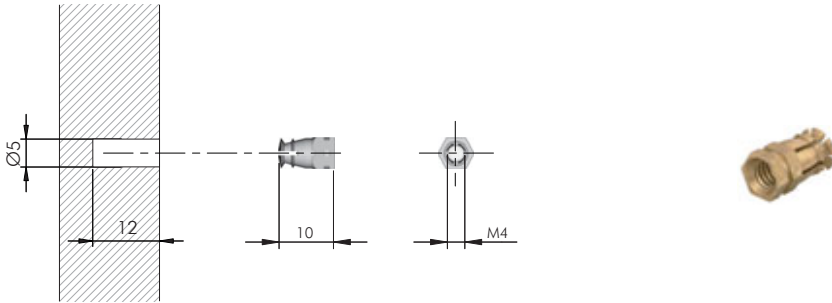
8,8

9,3

2500



FLIPPER-BI FIXING ACCESSORY

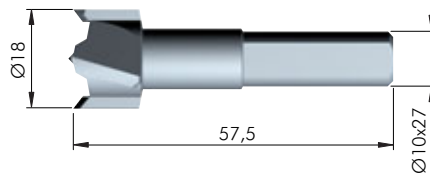
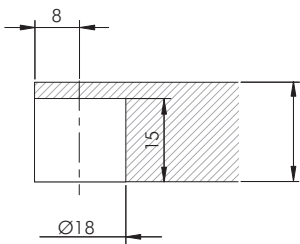


= Ø 5 mm
 = M4
 BR = 10.000 pcs.



20502021HL

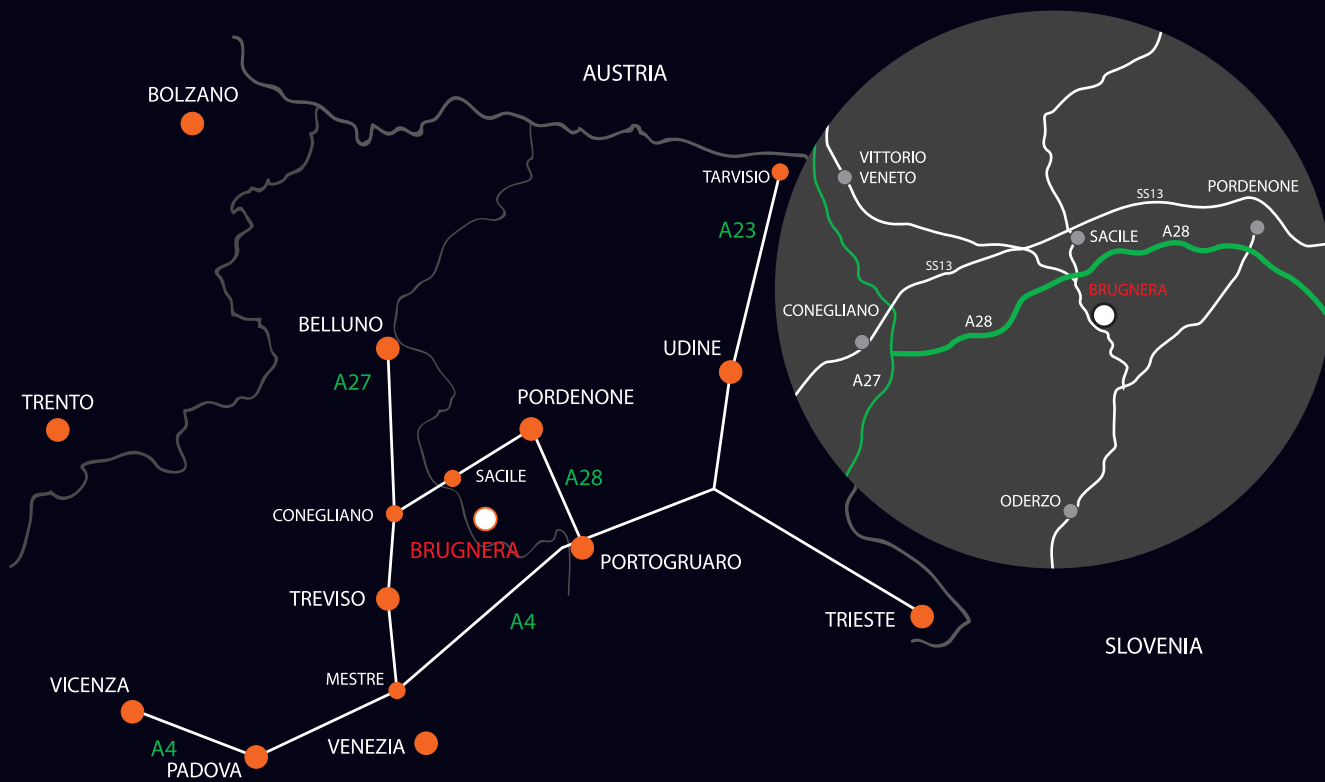
DRILL BIT FOR FLIPPER-BI



HSS = on request



1145201000



www.italianaferramenta.com