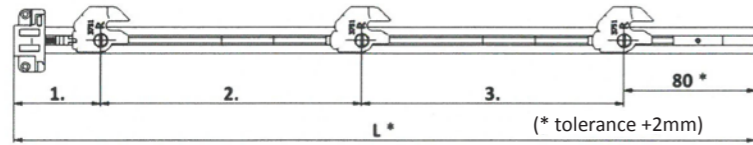


1. Sample unit and SVS3 bar calculation

- Po Requested unit – internal unit height approx. 500mm with pen tray and 3 drawers with various front panel heights
(The bar got three locking brackets only, as the organiser is locked directly by the lock.)
- **7,5 HE** = 1HE+1,5HE+2,5HE+2,5HE = 64mm + 96mm + 160mm + 160mm

Example: **7,5HE** (1+1,5+2,5+2,5) (see previous page for further examples)

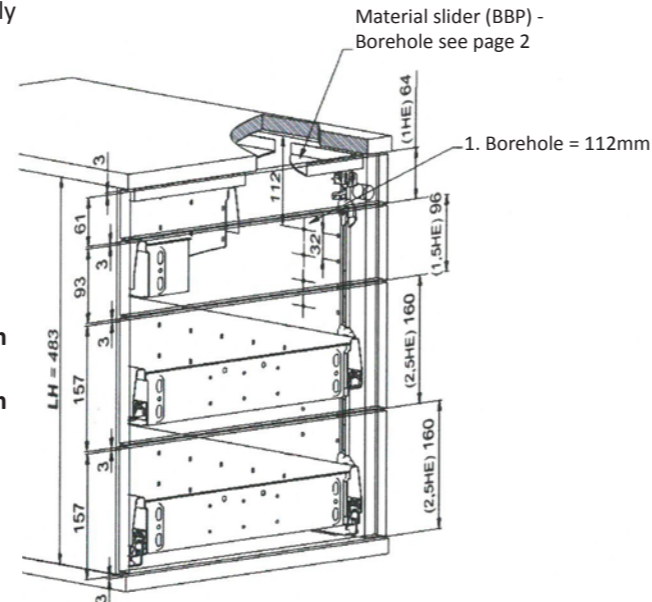


L Bar = 1HE+1,5HE+2x(2,5HE) -27 = 64+96+160+160-27 = **453mm**

LH Unit height
(internal) = 1HE+1,5HE+2x(2,5HE) +3 = 64+96+160+160+3 = **483mm**

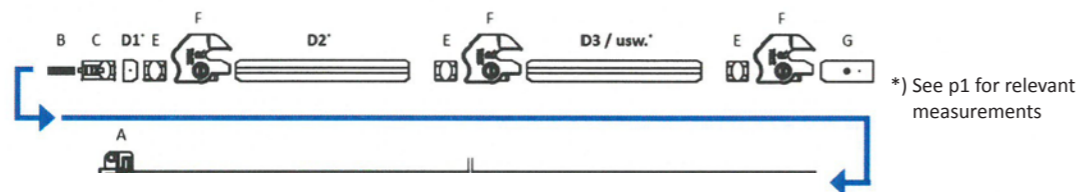
Locking bracket positions

1. (1+1,5HE)-107 = 160-107 = **53mm**
2. 2,5HE = **160mm**
3. 2,5HE = **160mm**



2. Shortening the bar and fitting to unit

1. Shorten the SVS3 bar (A) *
2. Loosen the bar lock
3. Remove relevant parts

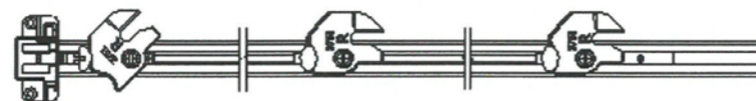


3. Fixing the components

1. Rotate one locking bracket (F) by hand
2. Push all fitted components upwards until the spring (B) is fully compressed and hold in this position.
3. Tighten bar lock (G) with Allen key (AF 1.5).

4. Check function

1. O Rotate one locking bracket (F) by hand.
2. None of the other locking brackets (F) should be rotatable.
3. Rotating the locking brackets should be soft. If this is not the case, move the bar lock (G) to a slightly lower position.



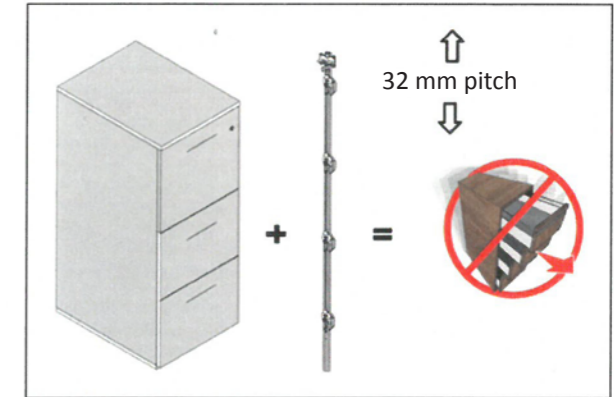
5. Fitting the SVS3 bar

1. U Fix the assembled SVS3 bar in the appropriate position.
2. Fit the guides, drawers and front panels. The bar is now fixed in place.

ASSEMBLY INSTRUCTIONS SVS3 CENTRAL LOCKING

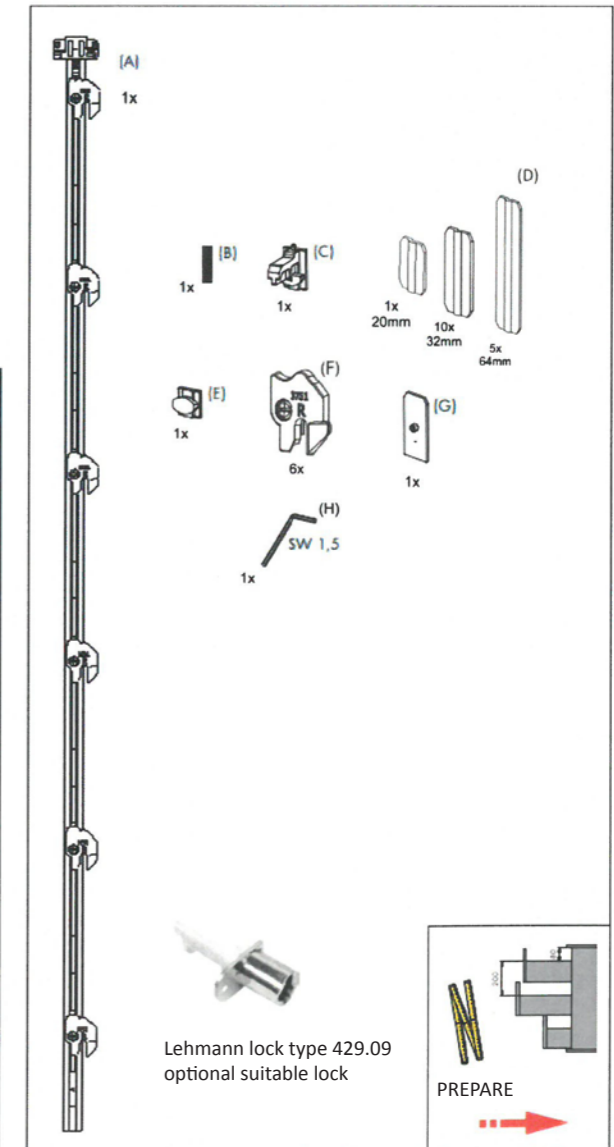


- Generates mutual locking of the drawers
- Prevents more than one drawer being open at the same time
- Tilting, falling over is reduced. Bodily injury, property damage, "clutter" is reduced.
- For assembly with OrgaAer organiser.
- Multiple drawers can be locked with one lock
- SVS3 anti-tilt bar can also be fitted as a stand-alone fitting without a lock.
- For OrgaAer BBP systems with 32 mm steps.
- Up to 6 drawers and for cabinets up to 1000mm in height.



Parts list

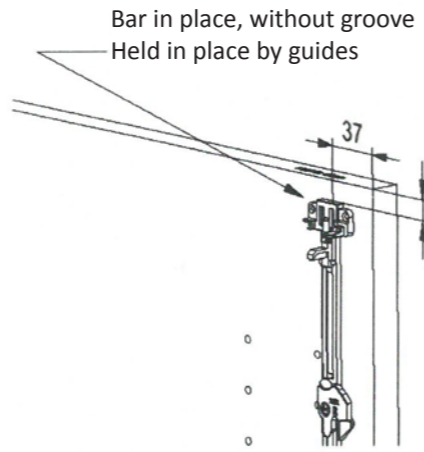
- (A) SVS3 bar (fitted) includes
- (B) Spring
- (C) Locking pin
- (D) Inserts for 32 size units
- (E) Counter bracket
- (F) Right-hand locking bracket
- (G) Bar lock with fixing screw
- (H) Allen key



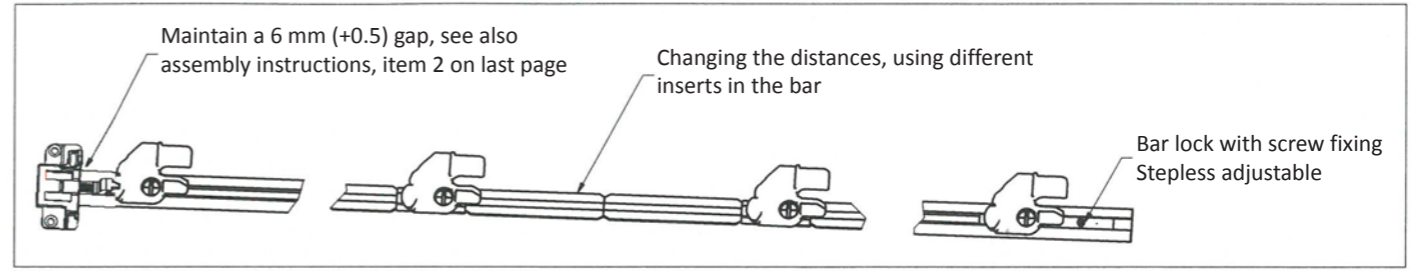
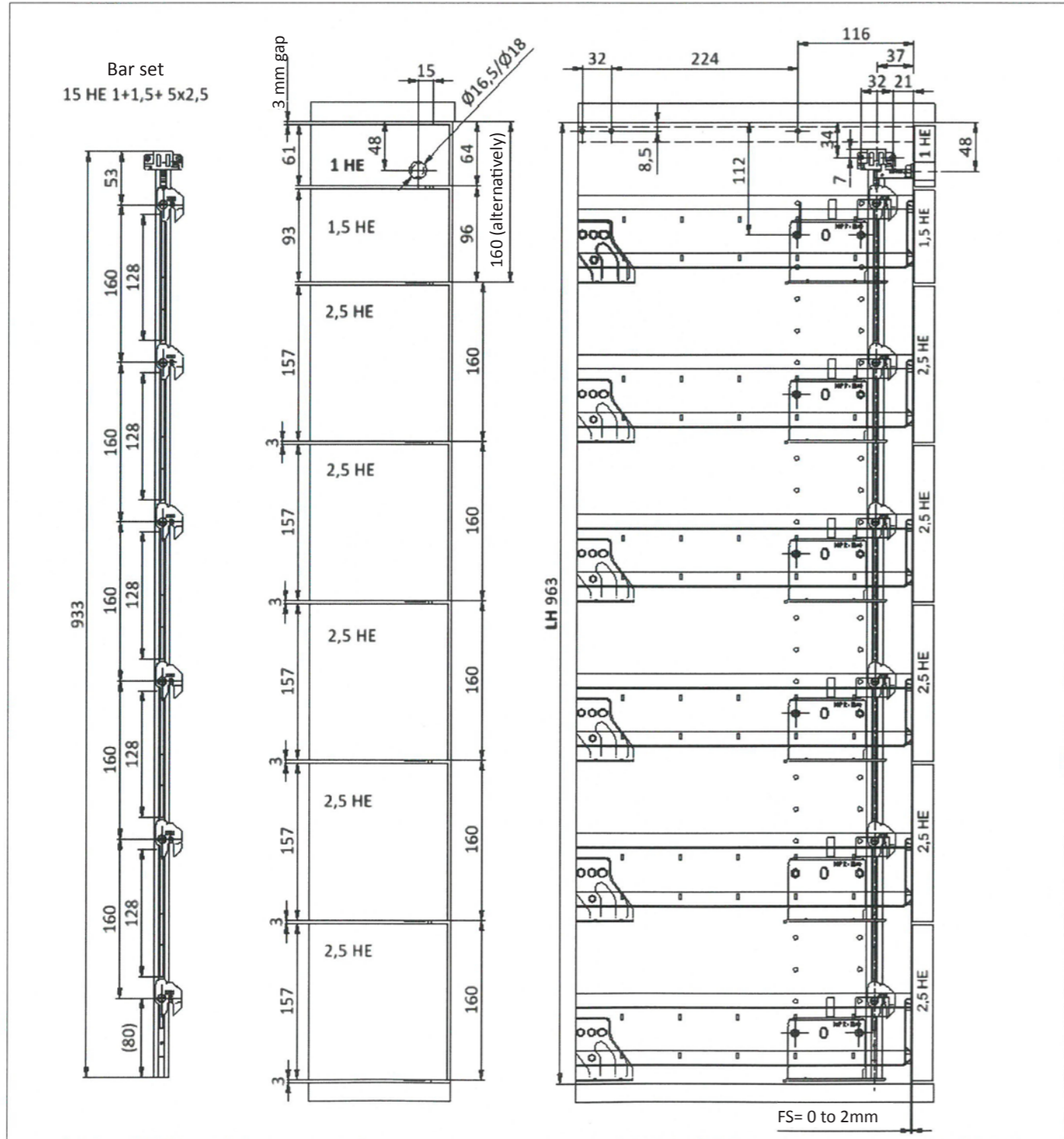
Unit – examples		15 HE 1 / 1,5 / 5x2,5
7,5HE 1/1,5/2,5/2,5	9HE 1/2/3/3	1HE
1HE	2HE	1,5HE
1,5HE	3HE	2,5HE
2,5HE	4HE	2,5HE
2,5HE	5HE	2,5HE
521	617	1000
11HE 1/2,5/3,5/4	13HE 1/4/4/4	1HE
1HE	4HE	1,5HE
2,5HE	4HE	2,5HE
3,5HE	4HE	2,5HE
4HE	4HE	2,5HE
745	873	2,5HE

Preparation

A groove is not required in the right-hand side of the unit.
The dimension of 37mm results by the integrated retaining bracket in the guide fixation



Sample unit for 15 HE bar set



HE = unit height (e.g. 128mm)
BH = front panel height (e.g. 125mm)
F = gap (3 mm)
HE = BH + F
BH = HE - F

1 HE= 64 mm (2x32)
 2 HE= 128 mm
 2,5 HE= 160 mm
 3 HE= 192 mm
 3,5 HE= 224 mm
 4 HE= 256 mm
 4,5 HE= 288 mm
 5 HE= 320 mm

Example bar 7,5 HE 1+1,5+2,5+2,5
 *(53+102 = 160mm = 2,5HE)

Example bar 9 HE 1+2+3+3
 *(85+102 = 192mm = 3HE)

Example bar 11 HE 1+2,5+3,5+4
 *(117+102 = 224mm = 3,5HE)

Example bar 13 HE 1+4+4+4
 *(213+102 = 320mm = 5HE)

Preparation

* Distance - 32 = overall insert length
 e.g. 160 - 32 = 128 (64 + 32 + 32)

The length of the bar is calculated as follows:
 L = (HE x 64) - 27
 e.g. L = (13 x 64) - 27 = 805 (tolerance +2)