

ATTENTION
When installing the fixed mounting, it is important to situate axis L parallel to axis K (L || K)

ATTENTION:
For fast and accurate routing of the bottom carriage pockets we recommend using template for bottom carriage WD18 HI-TEC index 20191

COMPONENTS

<p>Handle #18 L 2.70 m</p> <p>textile door stop (self-adhesive) 4.8 mm x 4 mm</p> <p>textile door stop (inserted) 4.8 mm x 4 mm</p> <p>anti-dust brushes (inserted) 6.7 mm x 13 mm</p>		<p>Top track Gemini-Decor L: 1.70 m, 2.35 m, 3.00 m, 4.05 m, 6.00 m</p> <p>76 mm</p>
<p>Secret Line</p>	<p>Slim Line</p>	

Bottom track Gemini-Decor II
L: 1.70 m, 2.35 m, 3.00 m, 4.05 m, 6.00 m

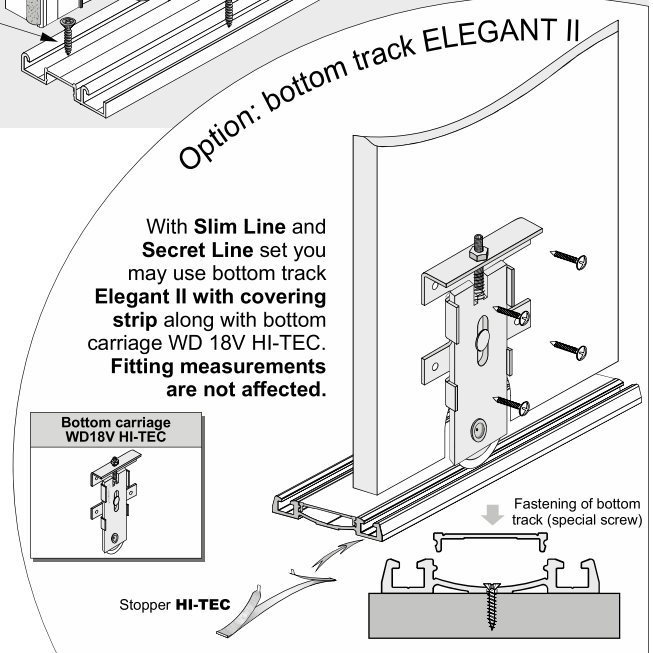
53 mm

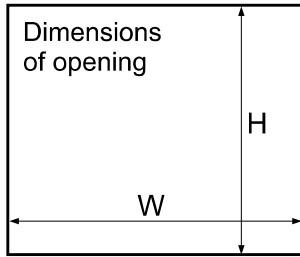
Angle section MINI
L: 1.70 m, 2.35 m, 3.00 m

11 mm x 17 mm

Guiding carriage Focus

Bottom carriage WD18C HI-TEC



**door filling - # 18 board**

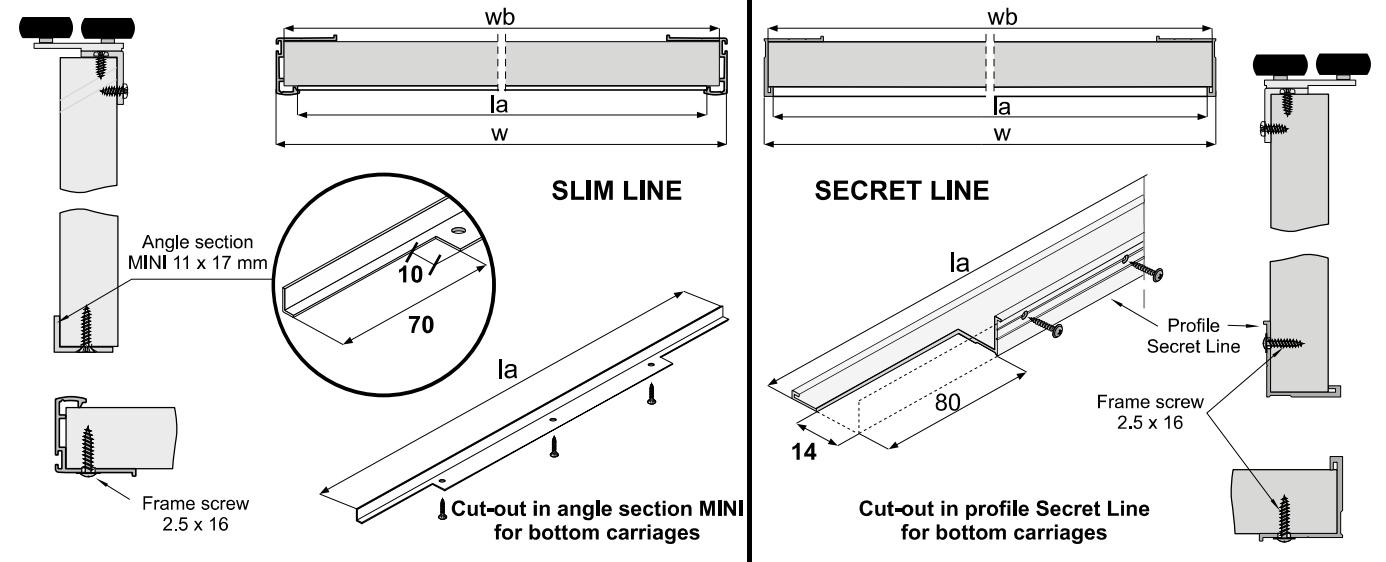
- When fitting handle profiles, do not use assembly adhesive

handle length = door height

		SLIM LINE	SECRET LINE
door height	- h	$h = H - 42 \text{ mm}$	$h = H - 42 \text{ mm}$
door wing height with soft-close fitted		Mini SV25/40/60 SV-25/50 $h = H - 42 \text{ mm}$	Mini SV25/40/60 SV-25/50 $h = H - 42 \text{ mm}$
		Top SV60/80, Central SV25/40 $h = H - 44 \text{ mm}$	Top SV60/80, Central SV25/40 $h = H - 44 \text{ mm}$
board height	- hb	$hb = h - 2 \text{ mm}$	$hb = h - 2 \text{ mm}$
door width	- w	$w = (W - 3 \text{ mm} + Z) : N$	$w = (W - 3 \text{ mm} + Z) : N$
board width	- wb	$wb = w - 6 \text{ mm}$	$wb = w - 3 \text{ mm}$
angle section length	- la	$la = w - 16 \text{ mm}$	$la = w - 7 \text{ mm}$

number of doors	- N	2	3	4	5	2	3	4	5
total overlap	- Z	25 mm	50 mm	75 mm	100 mm	25 mm	50 mm	75 mm	100 mm

visual design – 4 wings			
	door set up	$w = (W - 3 + 75) : 4$	$w = (W - 3 + 75) : 4$
	door set up	$w = (W : 2 + 22) : 2$	$w = (W : 2 + 22) : 2$

**ATTENTION!**

Handle profile should be 2 mm longer than board height.

WARNING

SEVROLL does not bear any responsibility for deformation resulting from the application of improper quality of boards (improper storage, improper humidity)

