

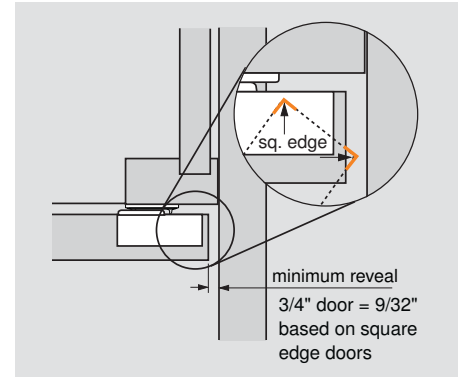


## Features

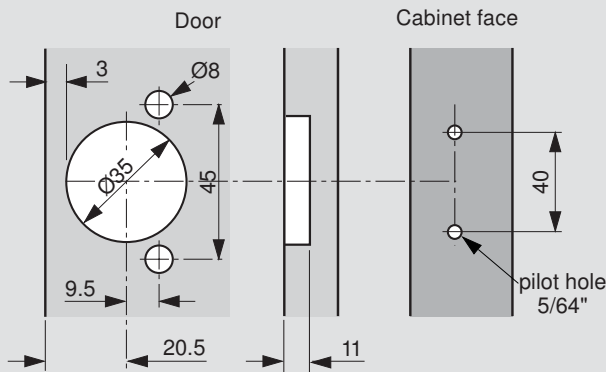
- BLUMOTION soft close integrated into the hinge cup
- Deactivation switch for small/light doors
- Overload safety feature
- One-piece face mount hinge - 1-3/8" overlay or greater
- 7/16" cup depth
- Press-in hinges must be inserted with knock-in tool or COMPACT insertion ram



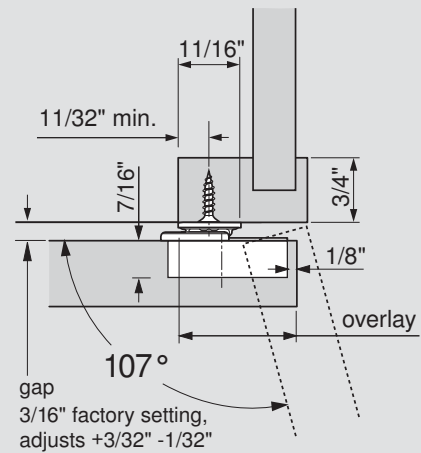
## Minimum reveal



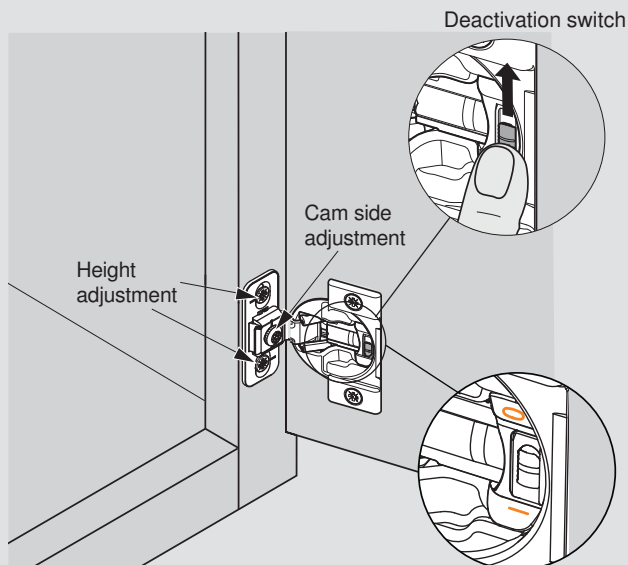
## Boring pattern



## Dimensions

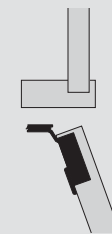


## Adjustment



**NOTE:** COMPACT BLUMOTION comes in the activated position, marked with a "1". The deactivated position is marked with a "0".

## Face mount hinges



Overlay	Screw-on	Press-in
1-3/8" or greater	<b>38B355BF22</b>	<b>38B358BF22</b>

## Installation screw

Flat head wood screw	<b>606N or 606P</b>
----------------------	---------------------

## Accessories

Angle restriction clip	<b>38C315B3</b>
Hinge cup spacer	<b>38C355B9</b>