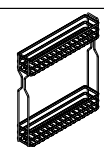
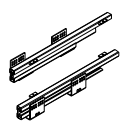
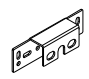




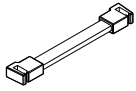



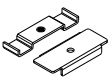
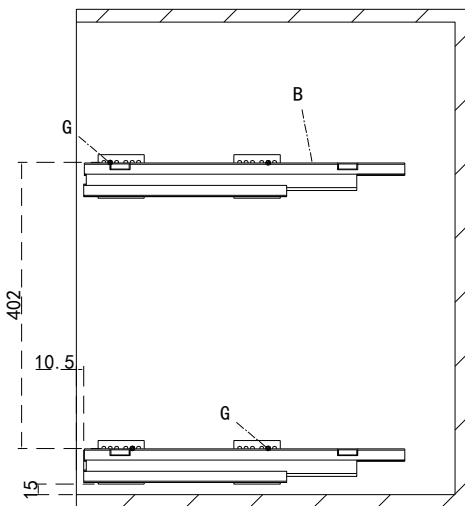


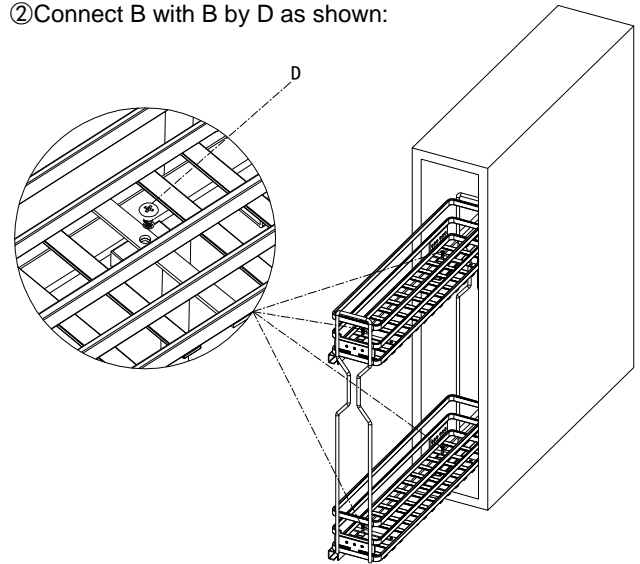
CODE	description	Potos	QTY(pcs)	CODE	description	Potos	QTY (pcs)	CODE	description	Potos	QTY (pcs)	CODE	description	Potos	QTY (pcs)
A		basket	1	B		concealed slide	1	C		Connector	2	D		M4x8 screw	4
E		M5x10 screw	4	F		M5X16 screw	2	G		M4 screw	16	H		sperator	4
I		mat	2	J		Ball bearing slide	1	K		M4x12 screw	4	L		connector	4

1.Installation of Concealed soft close slide

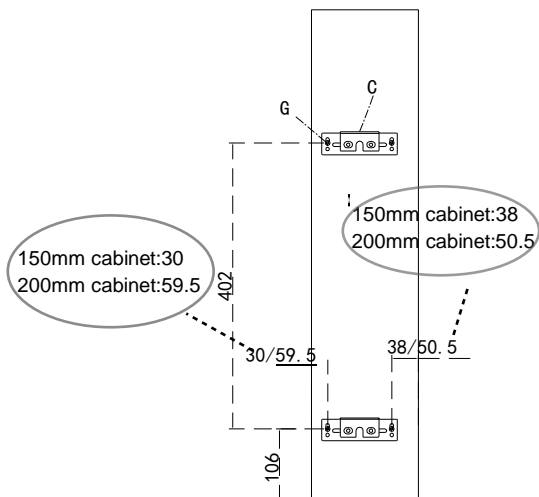
①Fix B by G on the cabinet as shown:



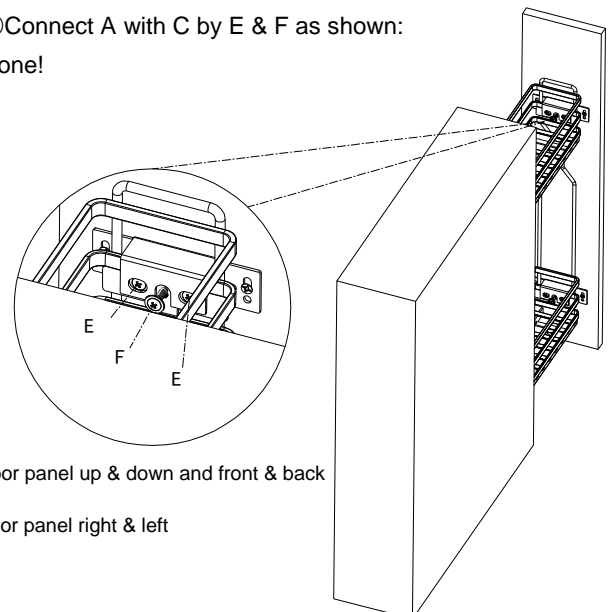
②Connect B with B by D as shown:



③Fix C by G on the door as shown:



④Connect A with C by E & F as shown:
Done!

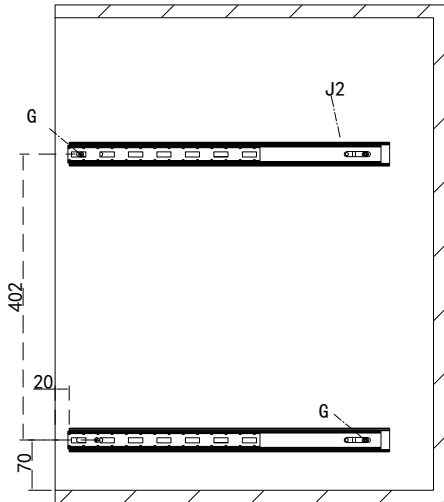
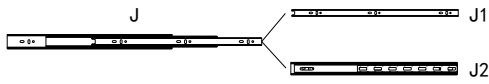


E:adjust the door panel up & down and front & back

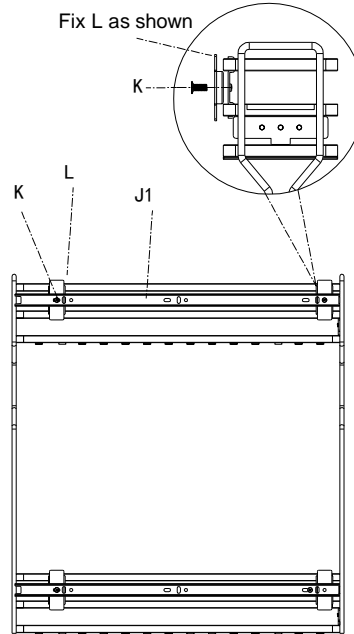
F:adjust the door panel right & left

2. Installation of Ball bearing normal slide

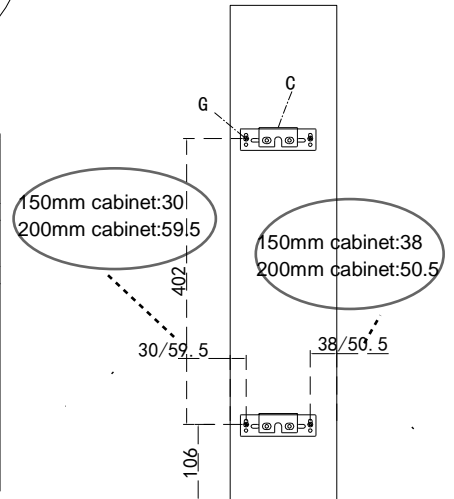
① Disassemble Slide J to two parts J1 & J2 and fix J2 on the cabinet's side panel as shown:



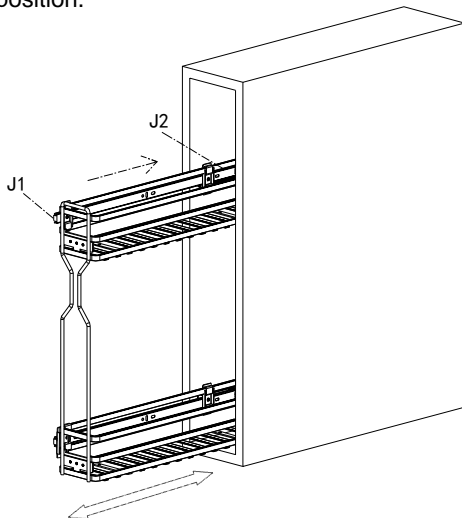
② Tighten L and J1 on the Basket A by K as shown:



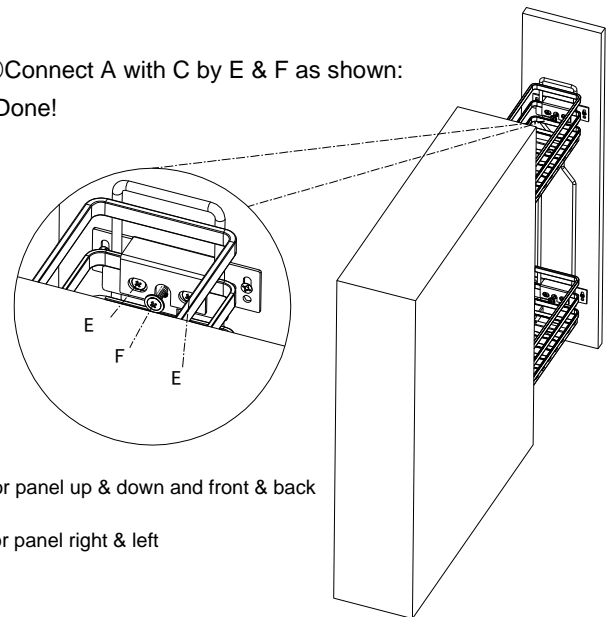
③ Fix C on the door by G as shown:



④ Assemble J1 into J2 and pull & open the basket for times to insure the slide in the right position.



⑤ Connect A with C by E & F as shown:
Done!



E: adjust the door panel up & down and front & back

F: adjust the door panel right & left